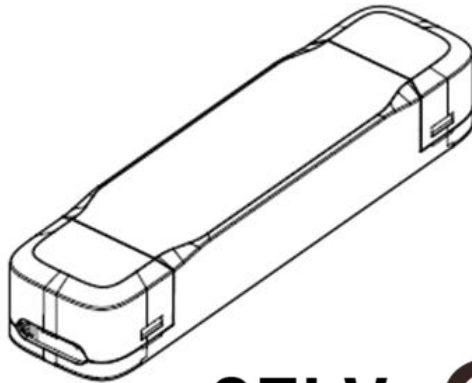


75W Constant Voltage-LS Series

LS-75-XX LI1



■ Approve



■ Features

- Class II, SELV, independent
- Input Voltage 220-240VAC
- Protections: SCP/OLP/OVP/OTP
- Power Factor > 0.9
- Efficiency ≥ 87%
- 5 years warranty

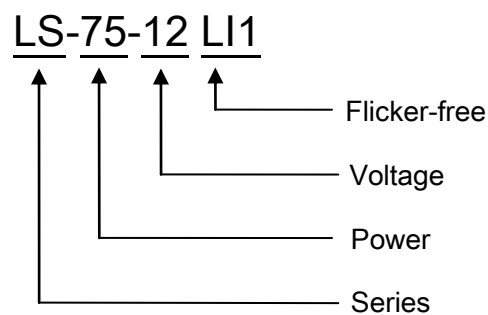
■ Applications

- LED strips
- Pendant light

■ Description

LS-75-XX LI1 is a 75W constant voltage LED driver that operates from 176-264Vac input with 12V output voltage. With its compact dimensions from 187 x 45x 30.5mm it is easy to integrate in LED strips and pendant light products. To ensure trouble-free operation, protection is provided against output short circuit and over Load.

■ Model code



75W Constant Voltage-LS Series

LS-75-XX LI1

■ Specification

Input	Rated input voltage	220-240VAC	
	Range of input voltage	176-264VAC	
	Frequency(Hz)	50/60 Hz	
	Power Factor	> 0.9@220-240VAC, Full load	
	Input Current max	0.58A MAX. @Full Load,176VAC	
	Start-up time	< 0.5S	
	Unload Power Consumption	≤0.5W	
	Inrush Current	50A Max.	
	THD	< 20% @220-240VAC, Full load	
	Leakage Current	< 0.7mA(240VAC)	
Output	Constant Voltage	12VDC	24VDC
	Current Range	0-6.25A	0-3.13A
	Rated power	75W Max.	
	Voltage Accuracy	±5%@220-240VAC	
	Voltage Regulation	±5% @Full Load,220-240VAC	
	Load Regulation	±5%@220-240VAC	
	Hold-up Time	1s max.@Full Load	
	Ripple& Noise *Note.2	≤±3%	
	Output LF current ripple(<120Hz)	≤±1%	
	Efficiency(Typ.)	≥87%	
Protection	Over Load Protection	105-150% Protection type: Auto Resume	
	Over Voltage Protection	> 12.6VDC	> 25.2VDC Protection type: Auto Resume
	Short circuit Protection	Protection type: Auto Resume	
	Over Temperature protection	Protection type: Auto Resume	
Environment	Operating Temperature	-20°C...+45°C	
	tc	85°C	
	Storage Temperature	-25°C...+60°C	
	Life time	> 30,000h@45°C	
	Temperature coefficient	±0.03%/°C(0-45°C)	
	Humidity	20%-90%RH	
Others	Dimension	187X45X30.5(LXWXH)mm	
Safety & EMC	Safety standards	EN 61347-1; EN61347-2-13; EN62493	
	Withstand voltage	Input-Output : 3750V/5mA/1min	
	Isolation resistance	Input-Output : ≥4MΩ@500VDC	
	EMI	EN55015; EN61000-3-2 Class C; EN61000-3-3	
	EMS	EN 61547; EN 61000-4-2; EN 61000-4-5 —1000V;	
Note	1.All parameters NOT specially mentioned are measured at 240VAC input , full load and 25°C of ambient temperature. 2.Ripple & Noise are measured at 20MHz of bandwidth by using a 300mm twisted pair-wire terminated with a 0.1uF & 47 uF parallel capacitor.		

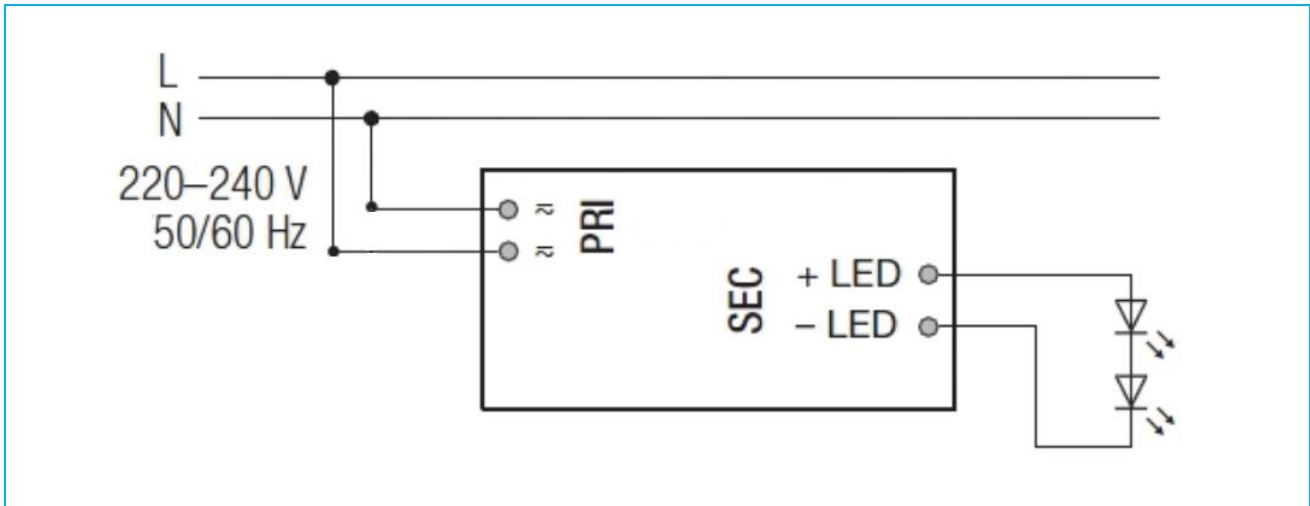
75W Constant Voltage-LS Series

LS-75-XX LI1

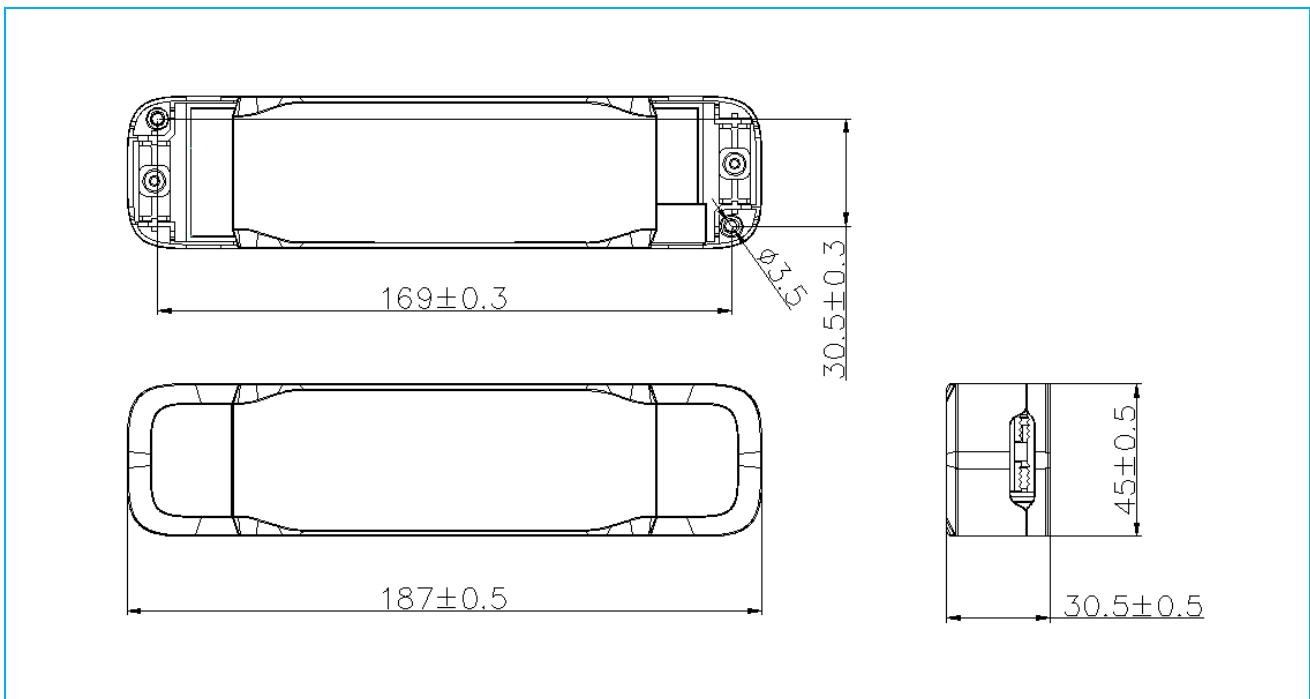
Model list

No.	Model number	Input			Output		
		Voltage (VAC)	Max. Current (A)	Frequency (Hz)	Constant voltage (V)	Normal working current (A)	Max. Power(W)
1	LS-75-12 LI1	220-240	0.58	50/60	12	0-6.25	75
2	LS-75-24 LI1	220-240	0.58	50/60	24	0-3.13	75

Wiring diagram



2D diagram



75W Constant Voltage-LS Series

LS-75-XX LI1

■ Operating window

