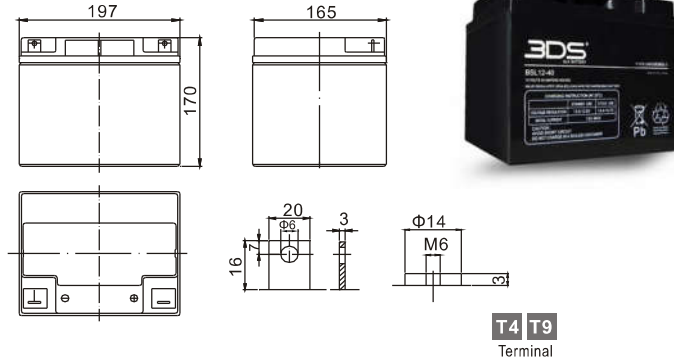


Standard Series BSL12-40 12V40Ah



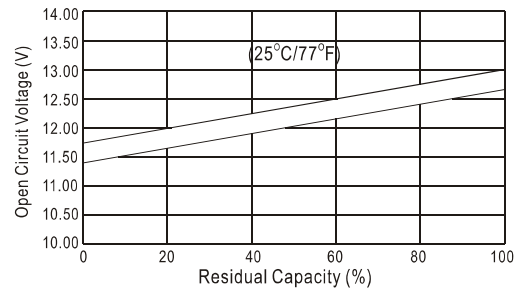
Dimension(mm)



Specification

Nominal Voltage		12 V
Capacity(10HR, 25°C)		40Ah
Dimension	Length	197mm (7.8inch)
	Width	165mm (6.5inch)
	Height	170mm (6.7inch)
	Total Height(T4/T9)	170mm (6.7inch)/170mm (6.7inch)
Approx. Weight		13.3kg (29.3lbs)

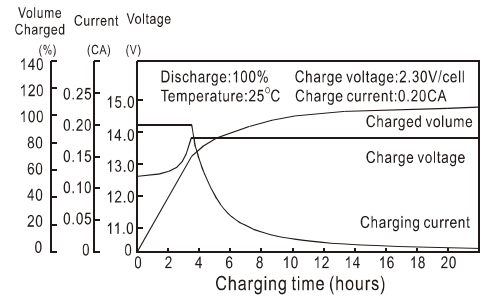
The Relationship for Open Circuit Voltage and Residual Capacity (25°C)



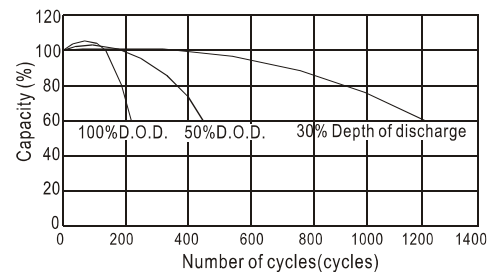
Characteristics

Capacity 20°C (68°F) To 1.70V/Cell	20 hour rate	42Ah
	10 hour rate	40Ah
	5 hour rate	36Ah
	1 hour rate	25Ah
	15 min rate	16.3Ah
Internal resistance(Fully charged, 25°C)		Approx.9.5mΩ
Capacity affected by temperature (10HR)	40°C	102%
	25°C	100%
	0°C	85%
	-15°C	65%
Self-discharge (25°C)	3 month	Remaining Capacity: 91%
	6 month	Remaining Capacity: 82%
	12 month	Remaining Capacity: 65%
Nominal operating temperature		25°C±3°C(77°F±5°F)
Operating temperature range		-15°C~50°C(5°F~122°F)
Float charging voltage(25°C)		13.50 to 13.80V
Cyclic charging voltage(25°C)		14.50 to 14.90V
Maximum charging current		12A
Terminal material		Copper
Maximum discharge current		400A(5 Sec.)

Charging Characteristics(25°C)



Cycle Life(25°C)



Constant Current Discharge Characteristics (A, 25°C)

F.V/TIME	5min	10min	15min	30min	60min	3h	5h	10h	20h
9.60V	122	81.0	68.0	40.0	26.0	10.4	7.31	4.06	2.10
10.2V	116	77.0	65.3	38.4	25.0	10.2	7.20	4.02	2.10
10.8V	109	72.3	62.0	36.5	23.7	10.0	7.06	4.00	2.05

Constant Power Discharge Characteristics (Watt, 25°C)

5min	10min	15min	30min	60min	3h	5h	10h	20h
1281	875	747	449	296	122	86.4	48.5	25.2
1217	831	717	431	285	120	85.1	48.0	25.2
1144	781	681	409	270	118	83.4	48.0	24.6