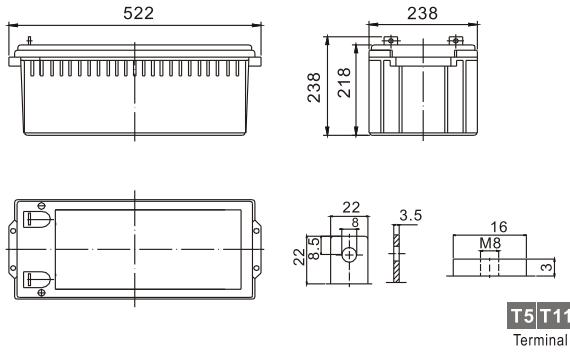


Standard Series BSL12-200 12V200Ah



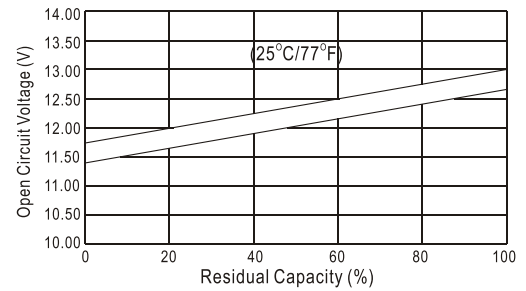
Dimension(mm)



Specification

Nominal Voltage		12 V
Capacity(10HR, 25 °C)		200 Ah
Dimension	Length	522mm (20.6inch)
	Width	238mm (9.4inch)
	Height	218mm (8.6inch)
	Total Height(T5/T11)	238mm (9.4inch)/221mm (8.7inch)
Approx. Weight		61kg (134.2lbs)

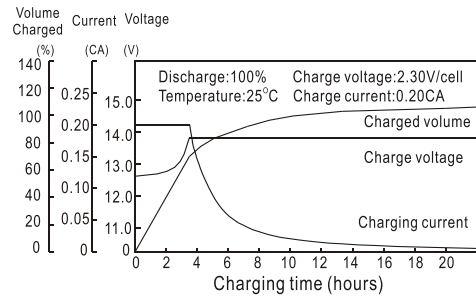
The Relationship for Open Circuit Voltage and Residual Capacity (25°C)



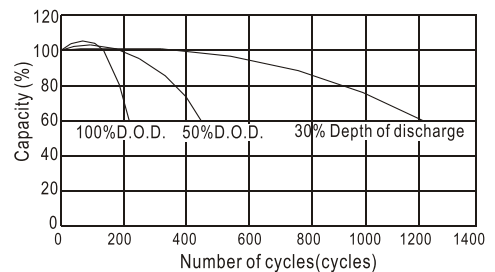
Characteristics

Capacity 20 (68H) To 1.70V/Cell	20 hour rate	206Ah
	10 hour rate	200Ah
	5 hour rate	185Ah
	1 hour rate	125Ah
	15 min rate	88.8Ah
Internal resistance(Fully charged, 25 °C)		Approx. 3m
Capacity affected by temperature (10HR)	40	102%
	25	100%
	0	85%
	-15	65%
Self-discharge (25 °C)	3 month	Remaining Capacity: 91%
	6 month	Remaining Capacity: 82%
	12 month	Remaining Capacity: 65%
Nominal operating temperature		25 3 (77H 5H)
Operating temperature range		-15 ~50 (5H ~122H)
Float charging voltage(25 °C)		13.50 to 13.80V
Cyclic charging voltage(25 °C)		14.50 to 14.90V
Maximum charging current		60A
Terminal material		Copper
Maximum discharge current		1600A(5 Sec.)

Charging Characteristics(25°C)



Cycle Life(25°C)



Constant Current Discharge Characteristics (A, 25°C)

F.V/TIME	5min	10min	15min	30min	60min	3h	5h	10h	20h
9.60V	650	430	370	210	130	55.0	38.2	20.3	10.4
10.2V	618	409	355	202	125	53.5	37.0	20.1	10.3
10.8V	580	384	337	192	119	52.4	36.3	20.0	10.2

Constant Power Discharge Characteristics (Watt, 25°C)

5min	10min	15min	30min	60min	3h	5h	10h	20h
6825	4644	4063	2356	1482	639	444	242	124
6484	4421	3900	2262	1425	629	437	240	123
6095	4147	3705	2149	1352	617	429	240	122