

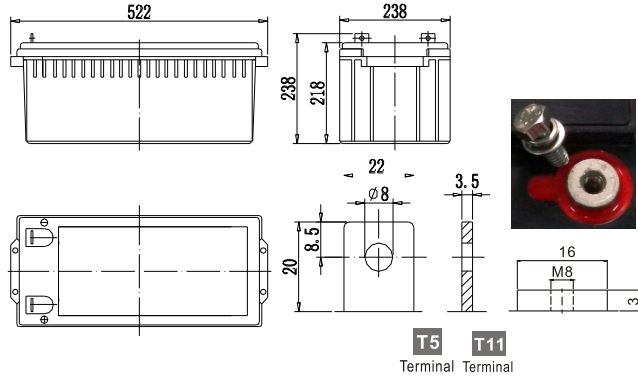
Gel Series BSL12-200GEL

12V200Ah

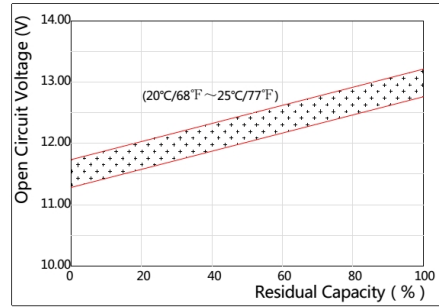
3BDS[®]

BATTERY

Dimension(mm)



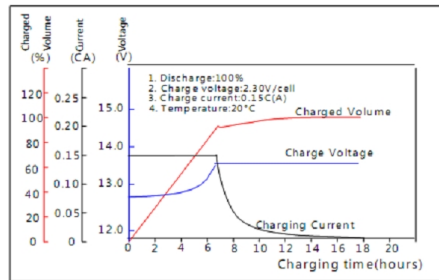
The Relationship for Open Circuit Voltage and Residual Capacity (25 °C)



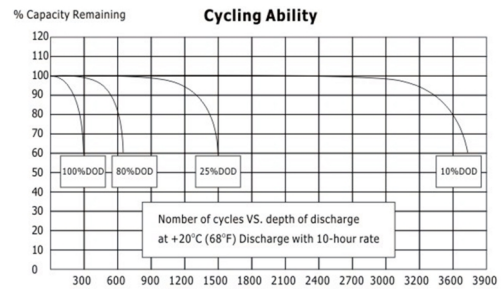
Specification

Nominal Voltage		12 V
Capacity(10HR, 25 °C)		200 Ah
Dimension	Length	522mm (20.55inch)
	Width	238mm (9.37inch)
	Height	218mm (8.58inch)
	Total Height	238mm (9.37inch)
Approx. Weight		66kg (145.5lbs)
Internal resistance (Fully charged, 25 °C)		Approx. 3.3m
Capacity affected by temperature (20HR)	25 °C	102%
	30 °C	100%
	35 °C	85%
	40 °C	65%
Self-discharge	3 month	Remaining Capacity: 91%
	6 month	Remaining Capacity: 82%
	12 month	Remaining Capacity: 65%
Nominal operating temperature		25 (77)
Operating temperature range		-15 50 122
Float charging voltage(25 °C)		13.50 to 13.80V
Cyclic charging voltage(25 °C)		14.10 to 14.40V
Maximum charging current		50A
Terminal material		Copper
Maximum discharge current		1440A(5 sec.)

Charging Characteristics(25 °C)



Cycle Life(25 °C)



Constant Current Discharge Characteristics (A, 25°C)

F.V/TIME	5min	10min	15min	30min	60min	3h	5h	10h	20h
1.60V/cell	432	330	304	196	124	48.7	33.3	20.3	10.5
1.70V/cell	410	314	292	188	119	48.0	32.8	20.1	10.4
1.80V/cell	386	295	277	179	113	47.0	32.1	20.0	10.3

Constant Power Discharge Characteristics (Watt, 25°C)

F.V/TIME	5min	10min	15min	30min	60min	3h	5h	10h	20h
1.60V/cell	756	594	556	367	236	95.5	65.6	40.4	20.9
1.70V/cell	718	564	534	352	226	94.1	64.6	40.0	20.7
1.80V/cell	675	530	507	334	215	92.2	63.3	40.0	20.6