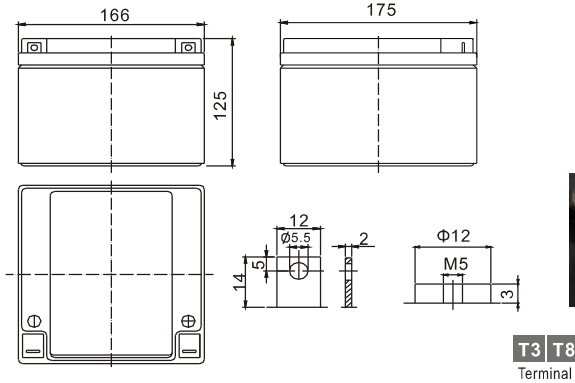


Deep Cycle Series

BSC12-26 12V26Ah

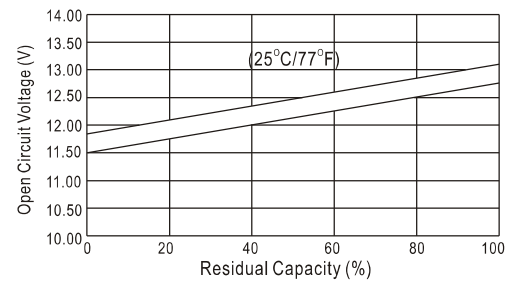
Dimension(mm)



Specification

| | | |
|----------------------|---------------------|-------------------------------|
| Nominal Voltage | | 12 V |
| Capacity(20HR, 25°C) | | 26Ah |
| Dimension | Length | 166mm (6.5inch) |
| | Width | 175mm (6.9inch) |
| | Height | 125mm (4.9inch) |
| | Total Height(T3/T8) | 125mm(4.9inch)/125mm(4.9inch) |
| Approx. Weight | | 8.0kg (17.6lbs) |

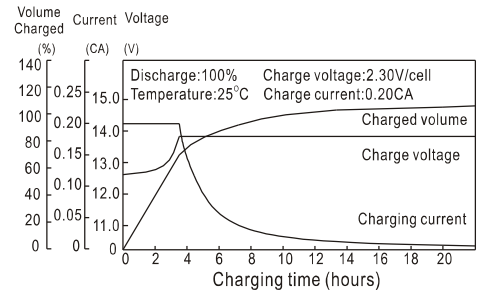
The Relationship for Open Circuit Voltage and Residual Capacity (25°C)



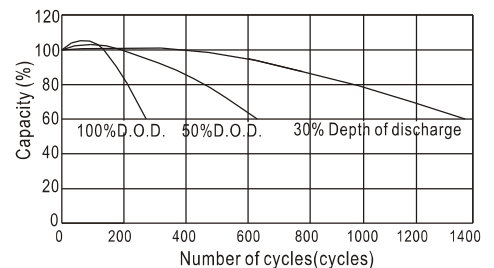
Characteristics

| | | |
|--|--------------|-------------------------|
| Capacity 20°C (68°F) To 1.70V/Cell | 20 hour rate | 26Ah |
| | 10 hour rate | 24.2Ah |
| | 5 hour rate | 22.4Ah |
| | 1 hour rate | 15.8Ah |
| | 15 min rate | 12.0Ah |
| Internal resistance(Fully charged, 25°C) | | Approx. 12mΩ |
| Capacity affected by temperature (20HR) | 40°C | 102% |
| | 25°C | 100% |
| | 0°C | 85% |
| | -15°C | 65% |
| Self-discharge (25°C) | 3 month | Remaining Capacity: 91% |
| | 6 month | Remaining Capacity: 82% |
| | 12 month | Remaining Capacity: 65% |
| Nominal operating temperature | | 25°C±3°C(77°F±5°F) |
| Operating temperature range | | -15°C~50°C(5°F~122°F) |
| Float charging voltage(25°C) | | 13.60 to 13.80V |
| Cyclic charging voltage(25°C) | | 14.50 to 14.90V |
| Maximum charging current | | 7.2A |
| Terminal material | | Copper |
| Maximum discharge current | | 360A(5 sec.) |

Charging Characteristics(25°C)



Cycle Life(25°C)



Constant Current Discharge Characteristics (A, 25°C)

| F.V/TIME | 5min | 10min | 15min | 30min | 60min | 3h | 5h | 10h | 20h |
|----------|------|-------|-------|-------|-------|------|------|------|------|
| 9.60V | 93.0 | 58.8 | 46.1 | 26.7 | 15.8 | 6.09 | 4.14 | 2.24 | 1.22 |
| 10.2V | 88.4 | 55.8 | 44.2 | 25.6 | 15.1 | 6.00 | 4.08 | 2.22 | 1.21 |
| 10.8V | 83.1 | 52.5 | 42.0 | 24.3 | 14.4 | 5.88 | 4.00 | 2.21 | 1.20 |

Constant Power Discharge Characteristics (Watt, 25°C)

| F.V/TIME | 5min | 10min | 15min | 30min | 60min | 3h | 5h | 10h | 20h |
|----------|------|-------|-------|-------|-------|------|------|------|-----|
| 1038 | 663 | 525 | 306 | 182 | 72.3 | 49.4 | 26.9 | 14.6 | |
| 986 | 630 | 504 | 293 | 175 | 71.3 | 48.7 | 26.7 | 14.5 | |
| 927 | 592 | 479 | 279 | 166 | 69.9 | 47.7 | 26.7 | 14.4 | |