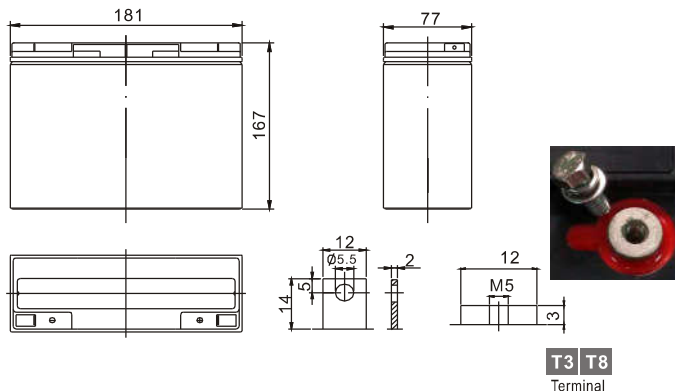


# Deep Cycle Series BSC12-18 12V18Ah



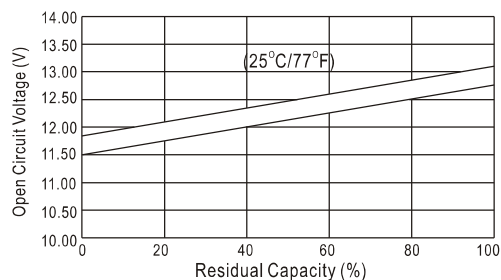
## Dimension(mm)



## Specification

Nominal Voltage		12 V
Capacity(20HR, 25 °C)		18Ah
Dimension	Length	181mm (7.1inch)
	Width	77mm (3.0inch)
	Height	167mm (6.6inch)
	Total Height(T3/T8)	167mm(6.6inch)/167mm(6.6inch)
Approx. Weight		5.5kg (12.1lbs)

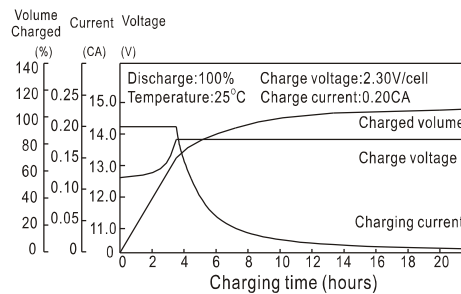
## The Relationship for Open Circuit Voltage and Residual Capacity (25°C)



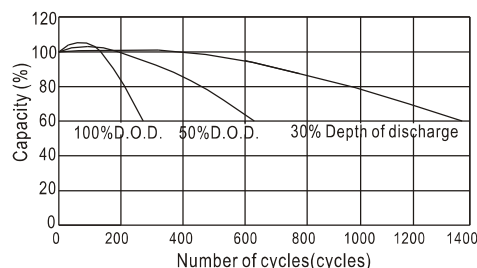
## Characteristics

Capacity 20 (68H ) To 1.70V/Cell	20 hour rate	18Ah
	10 hour rate	16.7Ah
	5 hour rate	15.3Ah
	1 hour rate	11.3Ah
	15 min rate	8.3Ah
Internal resistance(Fully charged, 25 °C)		Approx. 17m
Capacity affected by temperature (20HR)	40	102%
	25	100%
	0	85%
	-15	65%
Self-discharge (25 °C)	3 month	Remaining Capacity: 91%
	6 month	Remaining Capacity: 82%
	12 month	Remaining Capacity: 65%
Nominal operating temperature		25 3 (77H 5H)
Operating temperature range		-15 ~50 (5H ~122H)
Float charging voltage(25 °C)		13.60 to 13.80V
Cyclic charging voltage(25 °C)		14.50 to 14.90V
Maximum charging current		5.4A
Terminal material		Copper
Maximum discharge current		270A(5 sec.)

## Charging Characteristics(25°C)



## Cycle Life(25°C)



## Constant Current Discharge Characteristics (A, 25°C)

F.V/TIME	5min	10min	15min	30min	60min	3h	5h	10h	20h
9.60V	69.8	44.1	34.5	20.0	11.8	4.57	3.11	1.68	0.91
10.2V	66.3	41.9	33.2	19.2	11.3	4.50	3.06	1.67	0.91
10.8V	62.3	39.3	31.5	18.2	10.8	4.41	3.00	1.66	0.90

## Constant Power Discharge Characteristics (Watt, 25°C)

F.V/TIME	5min	10min	15min	30min	60min	3h	5h	10h	20h
9.60V	779	497	394	229	137	54.3	37.1	20.2	11.0
10.2V	740	472	378	220	131	53.5	36.5	20.0	10.9
10.8V	695	444	359	209	125	52.4	35.8	20.0	10.8

designed specially for electric vehicles, such as electric golf cart, electric wheelchair, mower, dust collector etc...

