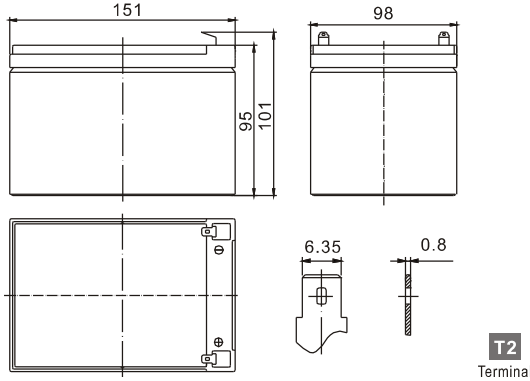


Deep Cycle Series BSC12-12 12V12Ah



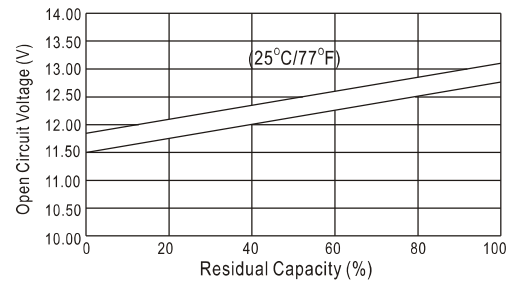
Dimension(mm)



Specification

Nominal Voltage		12 V
Capacity(20HR, 25 °C)		12 Ah
Dimension	Length	151mm (5.9inch)
	Width	98mm (3.9inch)
	Height	95mm (3.7inch)
	Total Height	101mm (4.0inch)
Approx. Weight		3.6kg (7.92lbs)

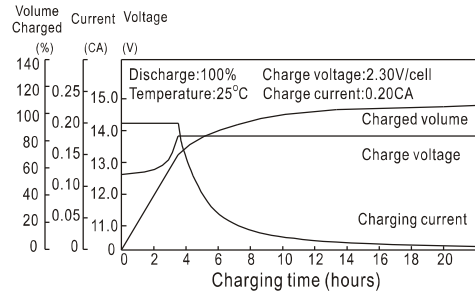
The Relationship for Open Circuit Voltage and Residual Capacity (25°C)



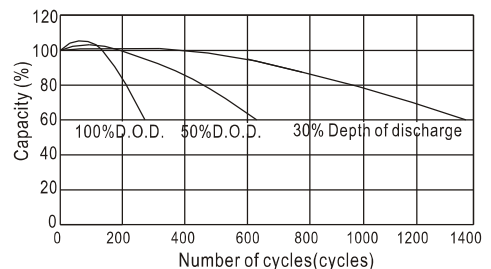
Characteristics

Capacity 20 (68H) To 1.70V/Cell	20 hour rate	12Ah
	10 hour rate	11.1Ah
	5 hour rate	10.25Ah
	1 hour rate	7.56Ah
	15 min rate	5.95Ah
Internal resistance(Fully charged, 25 °C)		Approx. 17m
Capacity affected by temperature (20HR)	40	102%
	25	100%
	0	85%
	-15	65%
Self-discharge (25 °C)	3 month	Remaining Capacity: 91%
	6 month	Remaining Capacity: 82%
	12 month	Remaining Capacity: 65%
Nominal operating temperature		25 3 (77H 5H)
Operating temperature range		-15 ~50 (5H ~122H)
Float charging voltage(25 °C)		13.60 to 13.80V
Cyclic charging voltage(25 °C)		14.50 to 14.90V
Maximum charging current		3.6A
Terminal material		Copper
Maximum discharge current		180A(5 sec.)

Charging Characteristics(25°C)



Cycle Life(25°C)



Constant Current Discharge Characteristics (A, 25°C)

F.V/TIME	5min	10min	15min	30min	60min	3h	5h	10h	20h
9.60V	46.9	31.6	24.7	13.6	7.88	3.17	2.08	1.12	0.60
10.2V	44.6	30.0	23.8	13.1	7.56	3.12	2.05	1.11	0.59
10.8V	41.9	28.2	22.6	12.4	7.18	3.06	2.01	1.10	0.59

Constant Power Discharge Characteristics (Watt, 25°C)

5min	10min	15min	30min	60min	3h	5h	10h	20h
524	357	282	156	91.2	37.6	24.8	13.4	7.20
497	339	271	150	87.6	37.1	24.5	13.3	7.10
468	319	257	143	83.2	36.3	24.0	13.3	7.10

designed specially for electric vehicles, such as electric golf cart, electric wheelchair, mower, dust collector etc...

