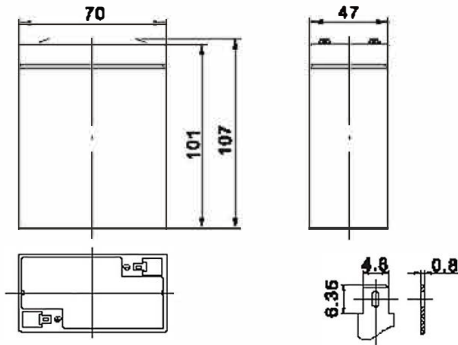


# Standard Series

## BS6-4.5 6V4.5Ah

### Dimension(mm)



T1 Terminal



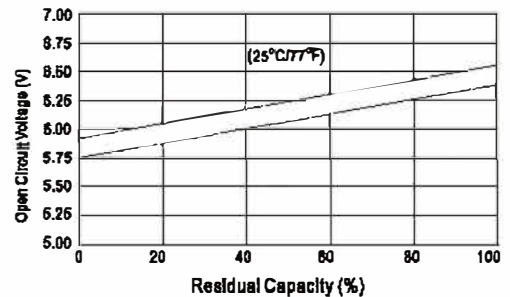
### Specification

Nominal Voltage	6 V	
Capacity(20HR, 25 °C)	4.5Ah	
Dimension	Length	70mm (2.76inch)
	Width	47mm (1.85inch)
	Height	101mm (3.98inch)
	Total Height	107mm (4.25inch)
Approx. Weight	0.75kg (1.65lbs)	

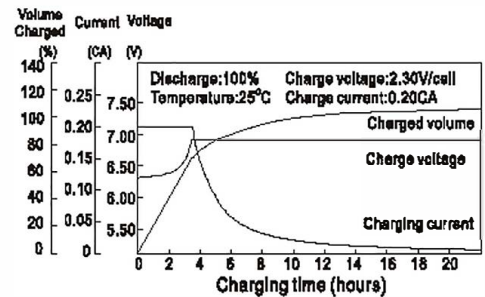
### Characteristics

Capacity 20 (68H) To 1.70V/Cell	20 hour rate	4.5Ah
	10 hour rate	4.5Ah
	5 hour rate	3.75Ah
	1 hour rate	3.02Ah
	15 min rate	2.11Ah
Internal resistance(Fully charged, 25 °C)	Approx.25m	
Capacity affected by temperature (20HR)	40	102%
	25	100%
	0	85%
	-15	65%
Self-discharge (25 °C)	3 month	Remaining Capacity: 91%
	6 month	Remaining Capacity: 82%
	12 month	Remaining Capacity: 65%
Nominal operating temperature	25 ± 3 (77H 5H)	
Operating temperature range	-15 ~50 (5H ~122H)	
Float charging voltage(25 °C)	6.80 to 6.90V	
Cyclic charging voltage(25 °C)	7.25 to 7.45V	
Maximum charging current	1.35A	
Terminal material	Copper	
Maximum discharge current	68A(5 Sec.)	

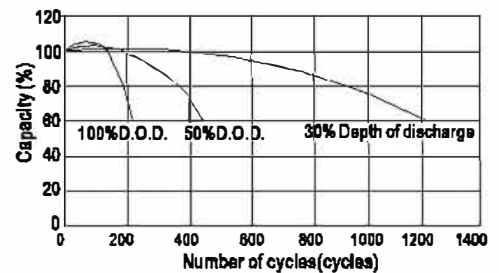
### The Relationship for open Circuit Voltage and Residual Capacity (25°C)



### Charging Characteristics(25°C)



### Cycle Life(25°C)



### Constant Current Discharge Characteristics (A, 25°C)

F.V/TIME	5min	10min	15min	30min	60min	3h	5h	10h	20h
4.80V	16.2	10.8	8.80	4.80	3.10	1.12	0.78	0.45	0.23
5.10V	15.4	10.3	8.45	4.65	3.02	1.10	0.75	0.45	0.23
5.40V	14.5	9.8	8.03	4.47	2.92	1.06	0.74	0.44	0.22

### Constant Power Discharge Characteristics (W@, 25°C)

5min	10min	15min	30min	60min	3h	5h	10h	20h
80.4	60.9	50.1	27.5	17.9	6.85	4.54	2.70	1.38
85.8	58.1	48.1	26.6	17.5	6.53	4.48	2.70	1.38
80.9	54.4	45.7	25.8	16.9	6.30	4.42	2.64	1.32