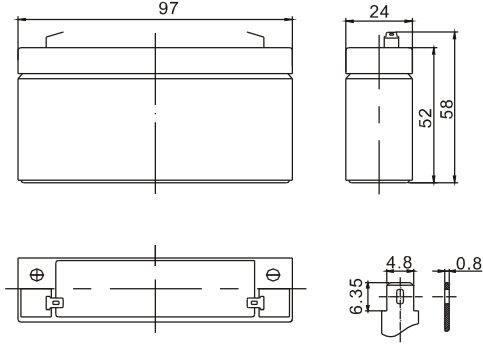


Standard Series

BS6-1.3 6V1.3Ah

Dimension(mm)



T1
Terminal



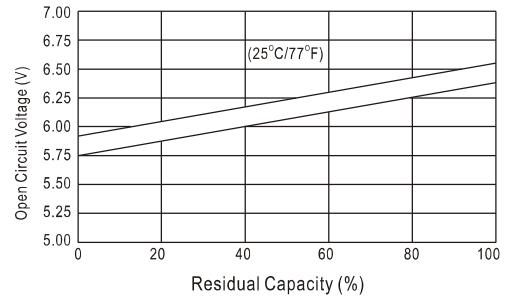
Specification

Nominal Voltage	6 V	
Capacity(20HR, 25 °C)	1.3Ah	
Dimension	Length	97mm (3.82inch)
	Width	24mm (0.94inch)
	Height	52mm (2.05inch)
	Total Height	58mm (2.28inch)
Approx. Weight	0.30kg (0.66lbs)	

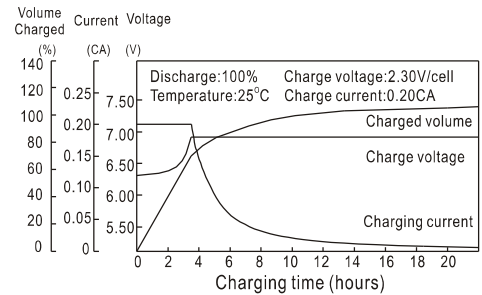
Characteristics

Capacity 20 (68H) To 1.70V/Cell	20 hour rate	1.3Ah
	10 hour rate	1.16Ah
	5 hour rate	1.1Ah
	1 hour rate	0.79Ah
	15 min rate	0.6Ah
Internal resistance(Fully charged, 25 °C)	Approx. 50m	
Capacity affected by temperature (20HR)	40	102%
	25	100%
	0	85%
	-15	65%
Self-discharge (25 °C)	3 month	Remaining Capacity: 91%
	6 month	Remaining Capacity: 82%
	12 month	Remaining Capacity: 65%
Nominal operating temperature	25 3 (77H 5H)	
Operating temperature range	-15 ~50 (5H ~122H)	
Float charging voltage(25 °C)	6.80 to 6.90V	
Cyclic charging voltage(25 °C)	7.25 to 7.45V	
Maximum charging current	0.36A	
Terminal material	Copper	
Maximum discharge current	18A(5 Sec.)	

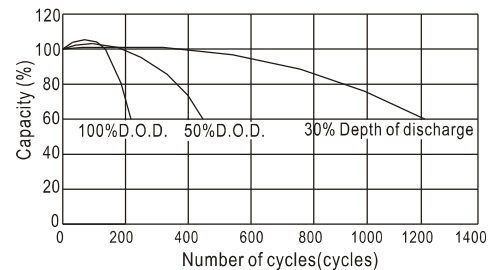
The Relationship for Open Circuit Voltage and Residual Capacity (25°C)



Charging Characteristics(25°C)



Cycle Life(25°C)



Constant Current Discharge Characteristics (A, 25°C)

F.V/TIME	5min	10min	15min	30min	60min	3h	5h	10h	20h
4.80V	5.00	3.20	2.50	1.45	0.82	0.33	0.22	0.12	0.06
5.10V	4.75	3.04	2.40	1.39	0.79	0.33	0.22	0.12	0.06
5.40V	4.47	2.86	2.28	1.32	0.75	0.32	0.21	0.12	0.06

Constant Power Discharge Characteristics (Watt, 25°C)

	5min	10min	15min	30min	60min	3h	5h	10h	20h
	27.9	18.1	14.3	8.30	4.75	1.96	1.33	0.72	0.38
	26.5	17.2	13.7	7.95	4.57	1.96	1.31	0.72	0.38
	24.9	16.1	13.0	7.55	4.34	1.90	1.29	0.72	0.37