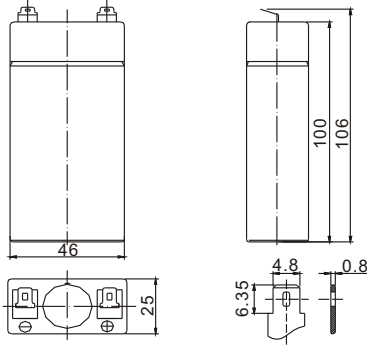


Standard Series

BS2-4.5 2V4.5Ah



Dimension(mm)



T1
Terminal

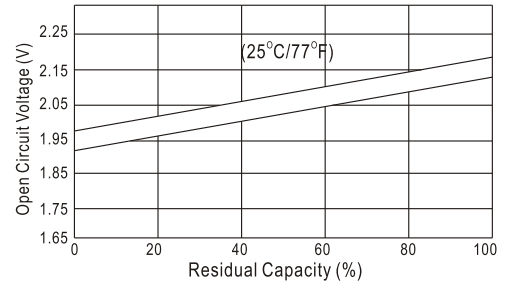
Specification

Nominal Voltage	2 V	
Capacity(20HR, 25 °C)	4.5 Ah	
Dimension	Length	46mm (1.81inch)
	Width	25mm (0.98inch)
	Height	100mm (3.94inch)
	Total Height	106mm (4.17inch)
Approx. Weight	0.28kg (0.62lbs)	

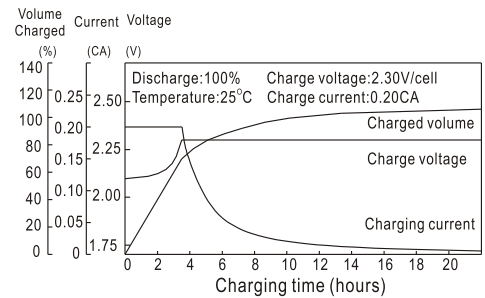
Characteristics

Capacity 20 (68H) To 1.70V/Cell	20 hour rate	4.5Ah
	10 hour rate	4.3Ah
	5 hour rate	3.7Ah
	1 hour rate	2.88Ah
	15 min rate	2.07Ah
Internal resistance(Fully charged, 25 °C)	Approx. 8.5m	
Capacity affected by temperature (20HR)	40	102%
	25	100%
	0	85%
	-15	65%
Self-discharge (25 °C)	3 month	Remaining Capacity: 91%
	6 month	Remaining Capacity: 82%
	12 month	Remaining Capacity: 65%
Nominal operating temperature	25 3 (77H 5H)	
Operating temperature range	-15 ~50 (5H ~122H)	
Float charging voltage(25 °C)	2.27 to 2.30V	
Cyclic charging voltage(25 °C)	2.42 to 2.48V	
Maximum charging current	1.35A	
Terminal material	Copper	
Maximum discharge current	68A(5 Sec.)	

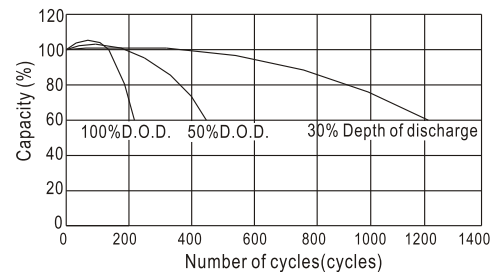
The Relationship for Open Circuit Voltage and Residual Capacity (25°C)



Charging Characteristics(25°C)



Cycle Life(25°C)



Constant Current Discharge Characteristics (A, 25°C)

F.V/TIME	5min	10min	15min	30min	60min	3h	5h	10h	20h	5min
1.60V	15.9	10.6	8.60	4.70	3.00	1.10	0.75	0.43	0.23	29.6
1.70V	15.1	10.1	8.26	4.51	2.88	1.08	0.74	0.43	0.23	28.1
1.80V	14.2	9.47	7.84	4.29	2.74	1.06	0.73	0.42	0.22	26.4

Constant Power Discharge Characteristics (Watt, 25°C)

5min	10min	15min	30min	60min	3h	5h	10h	20h
19.9	16.3	8.98	5.79	2.17	1.49	0.86	0.46	
18.9	15.7	8.62	5.56	2.14	1.47	0.86	0.46	
17.8	14.9	8.19	4.28	2.10	1.44	0.84	0.44	