

AV7061XIAA



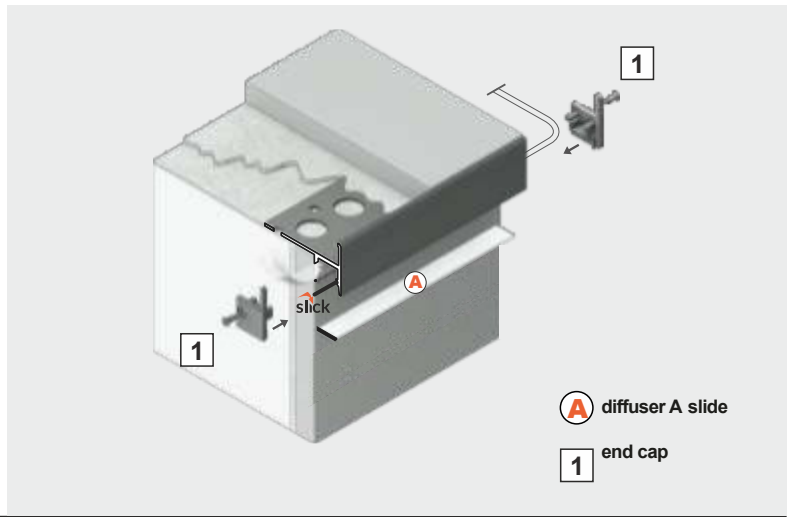
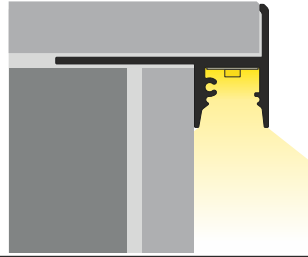
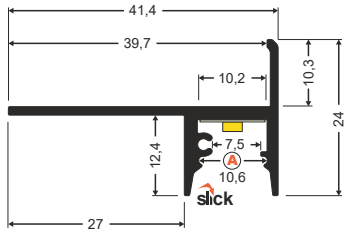
max 10 mm



tile in



architectural



A diffuser A slide

1 end cap



scissors



drill



hacksaw



screwdriver



pliers



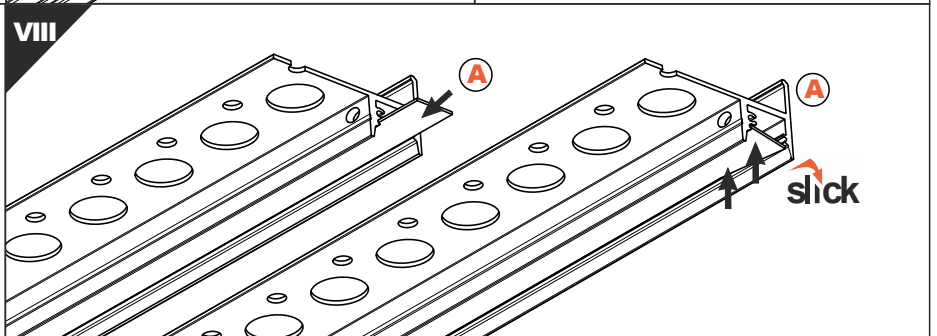
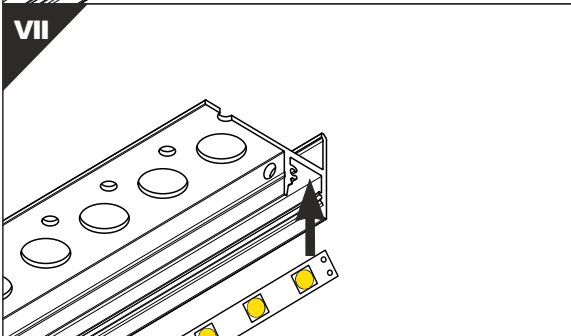
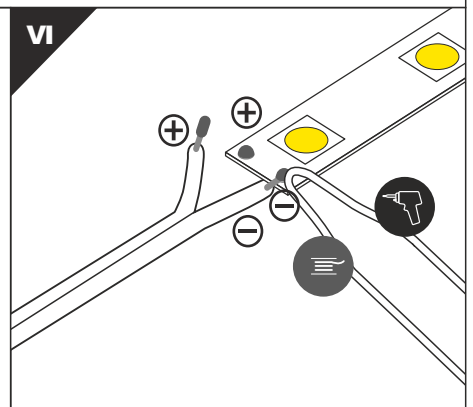
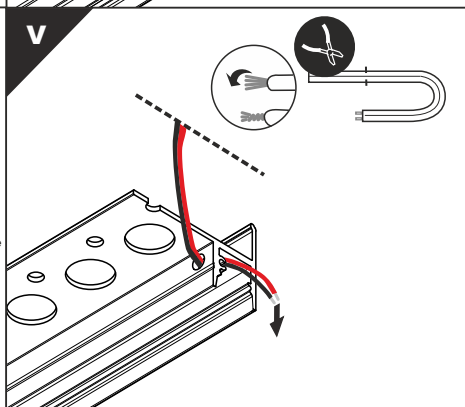
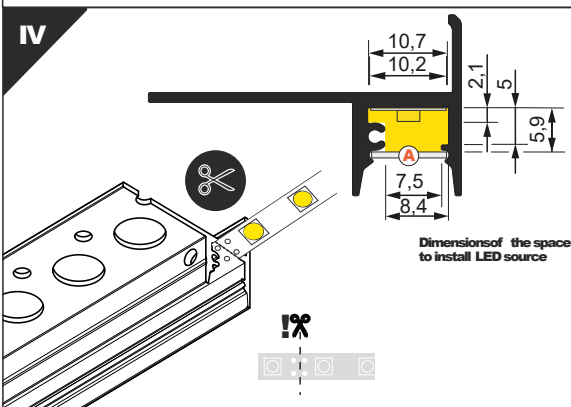
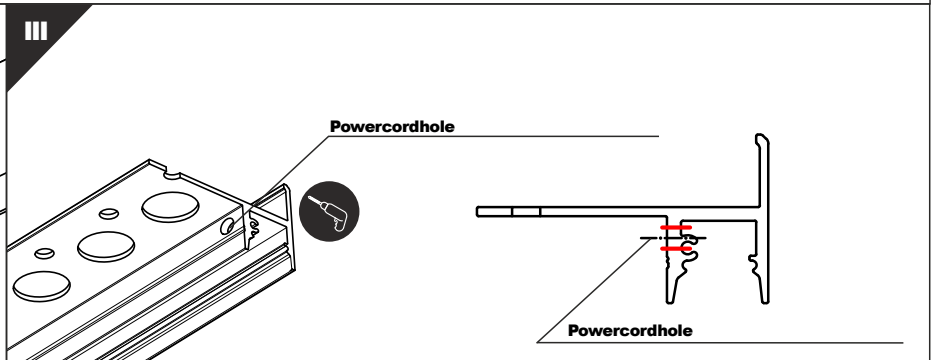
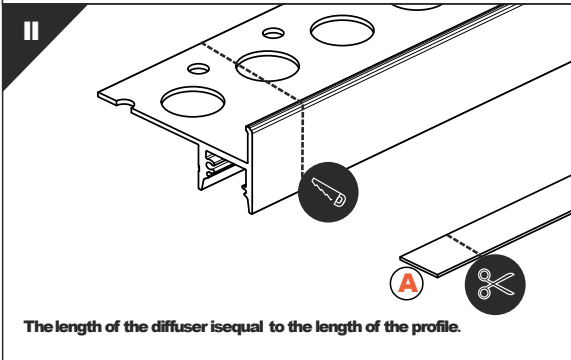
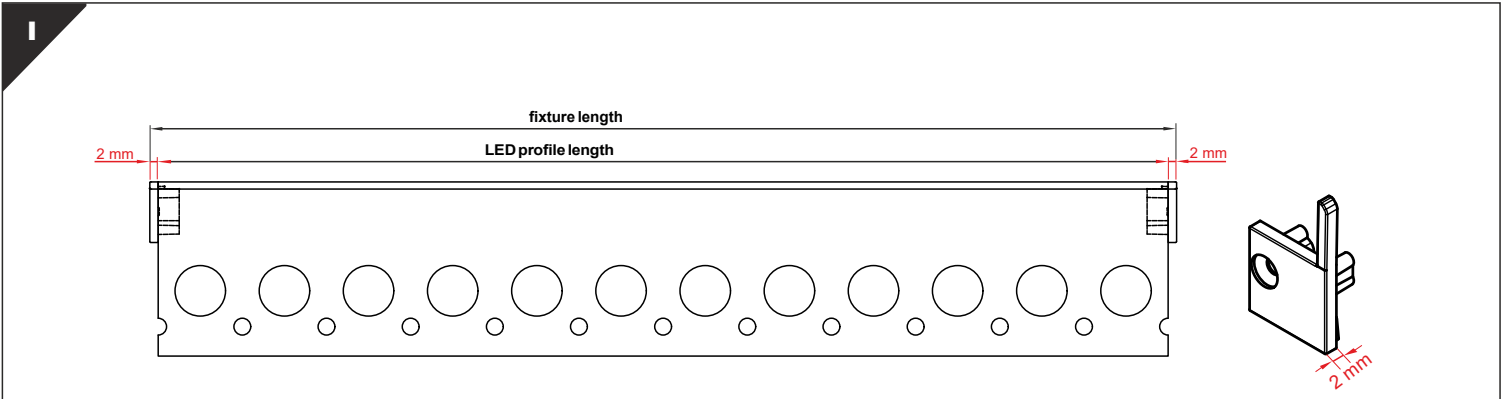
soldering iron

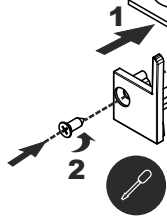


solder

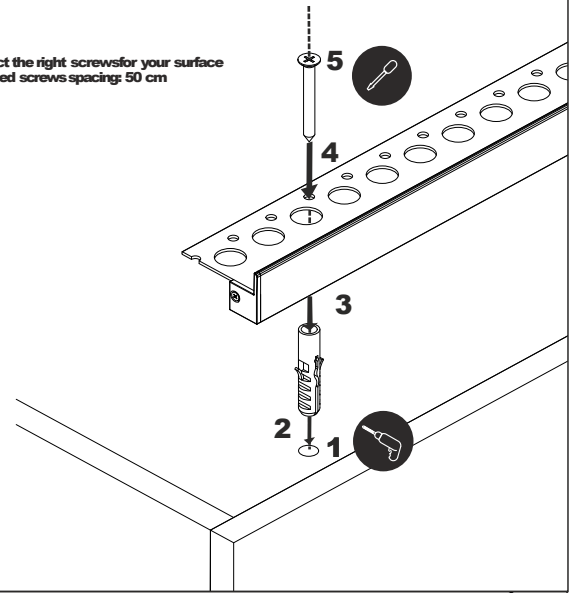
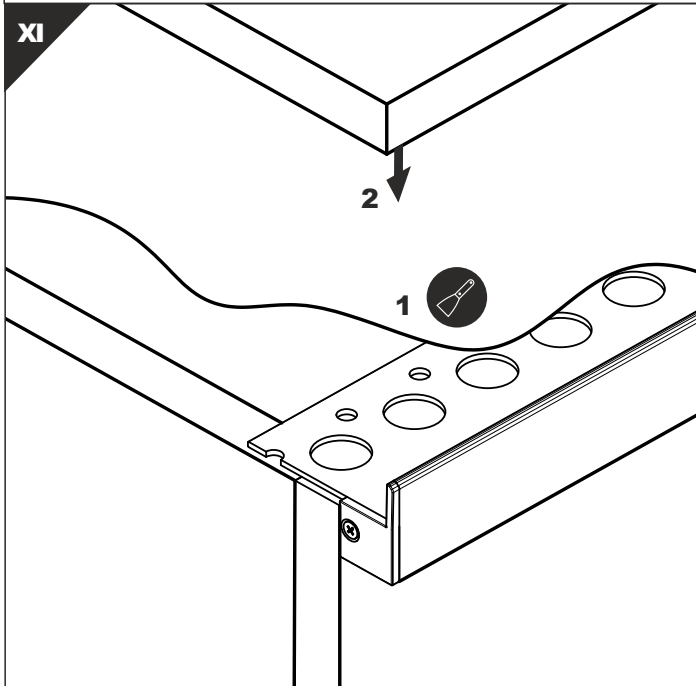


spatula



IX**X****MOUNTING**

Notice: select the right screws for your surface
Recommended screws spacing: 50 cm

**XI****XII**