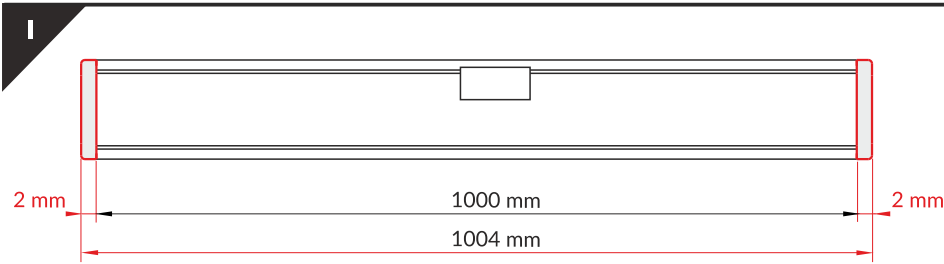
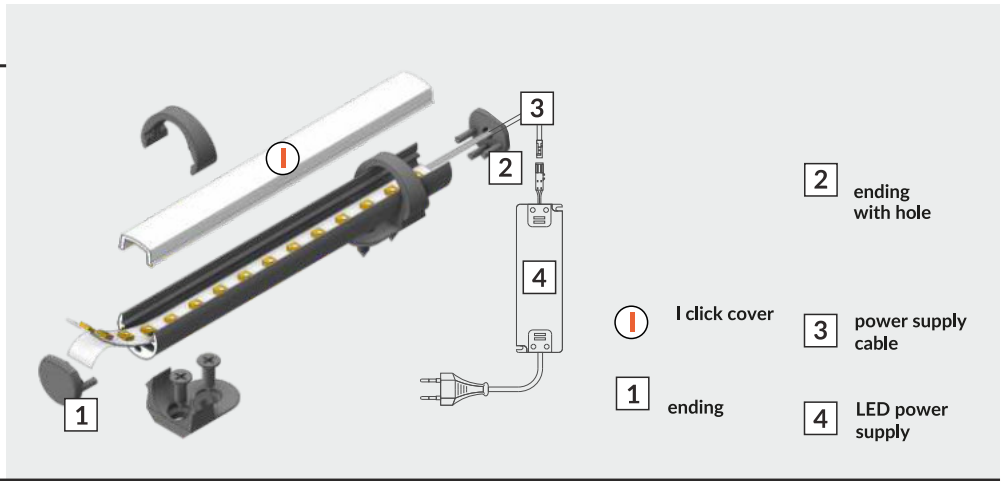
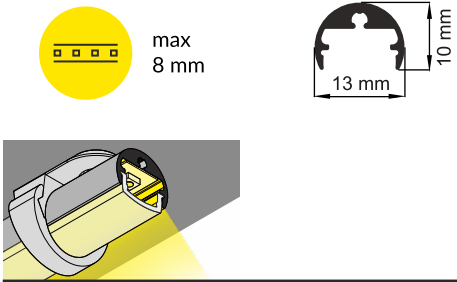
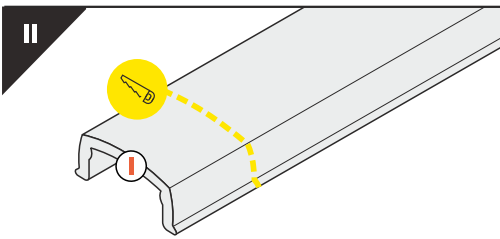


# AV7029XIAA

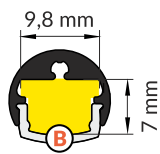
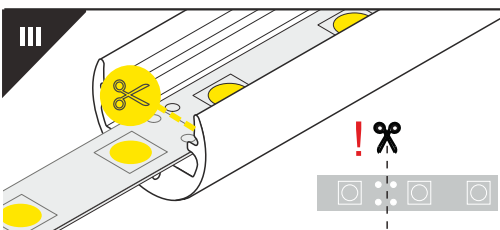
## SURFACE PROFILE



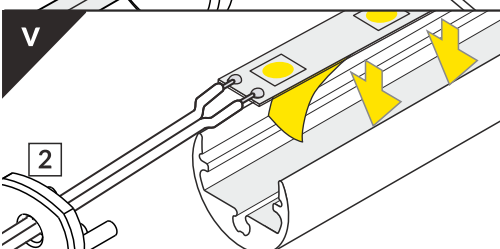
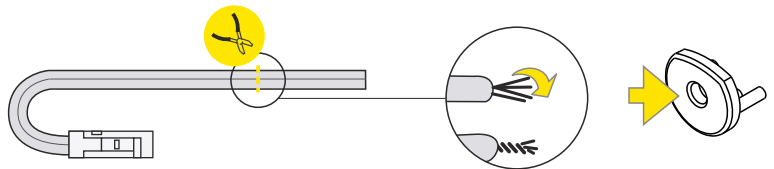
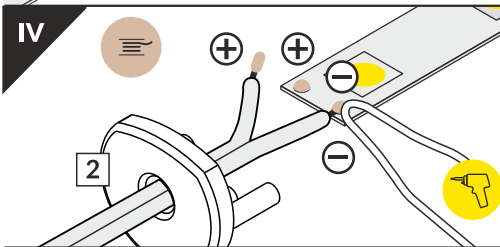
**Note!** Ending thickness increases the length of the luminaires (+ 2 x 2 mm).



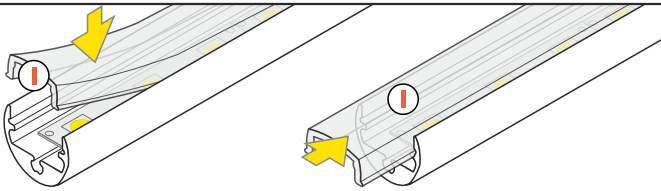
The length of the cover is equal to the length of the profile.



Dimensions of the space to install LED source



VI

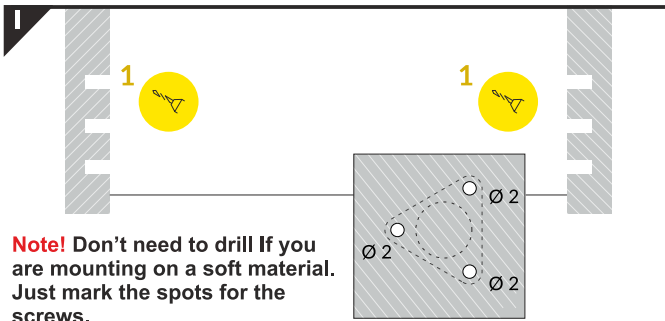


I slide cover

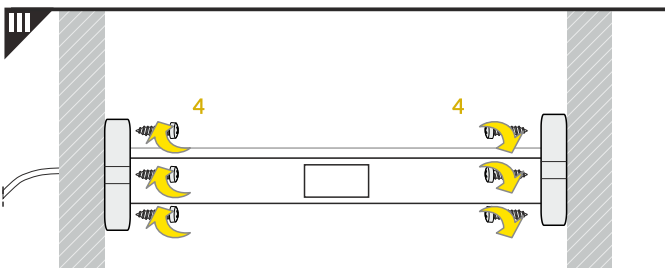
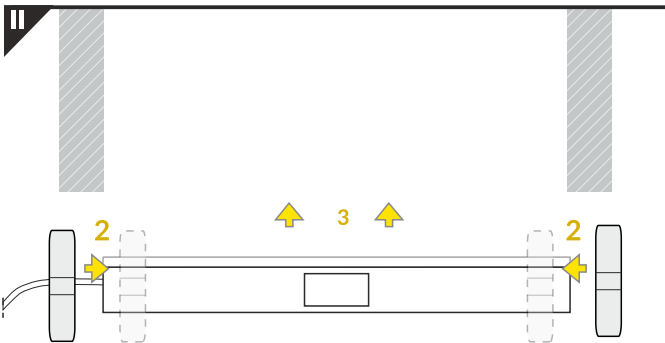
VII MOUNTING

page / str. 2	simple holder
page / str. 2	ring holder
page / str. 3	holder flat
page / str. 3	stretcher holder
page / str. 4	jointed holder with thread
page / str. 5	jointed holder with ceiling
page / str. 6	double holder with threads
page / str. 7	double holder with ceilings
page / str. 8	end holder

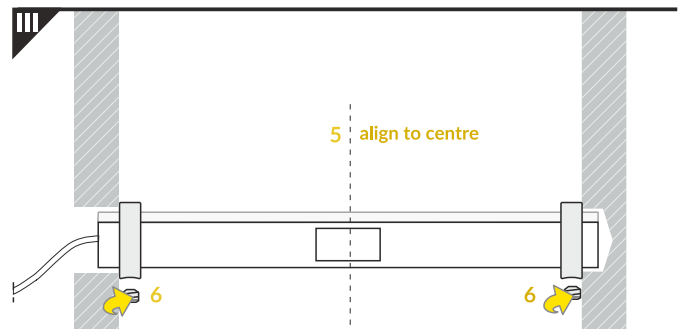
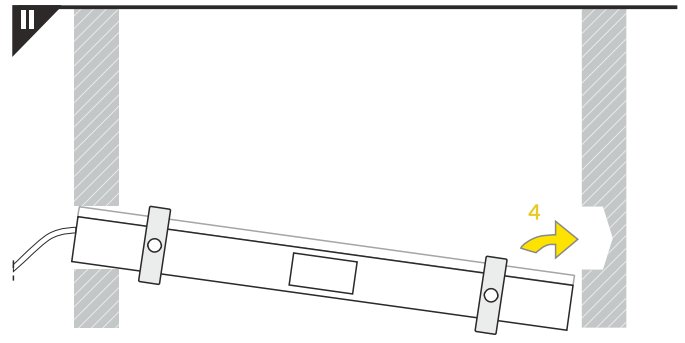
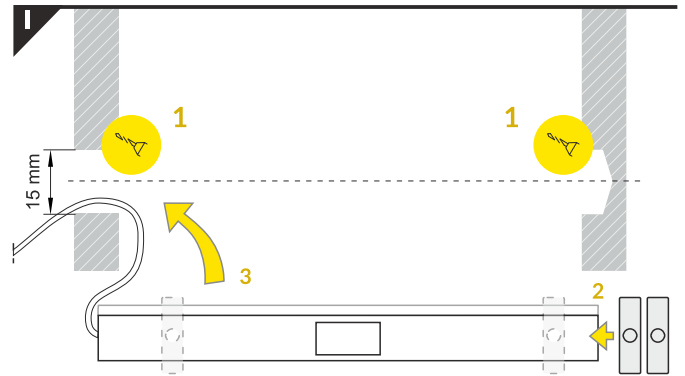
simple holder



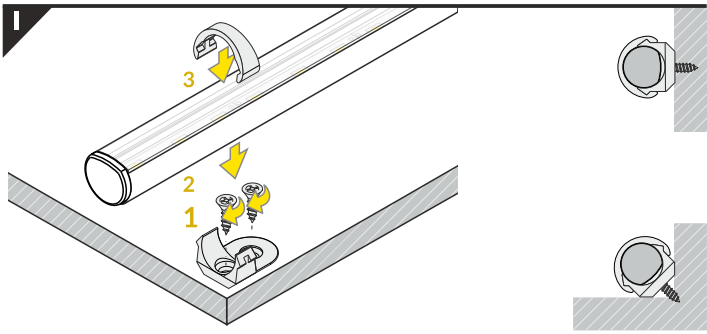
**Note!** Don't need to drill if you are mounting on a soft material. Just mark the spots for the screws.



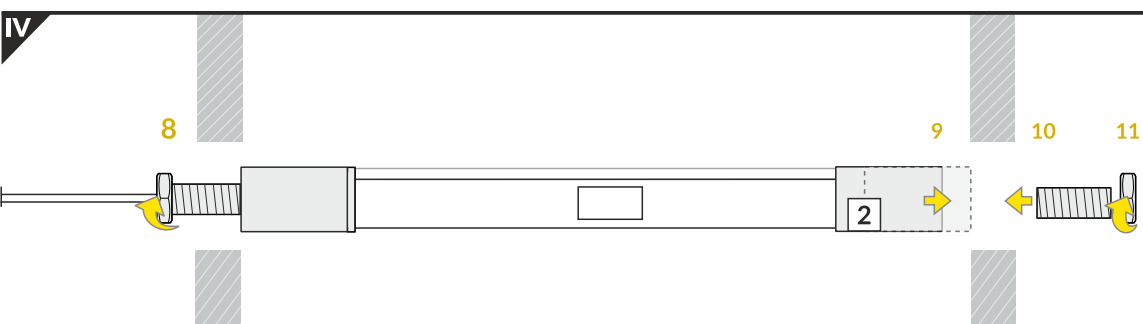
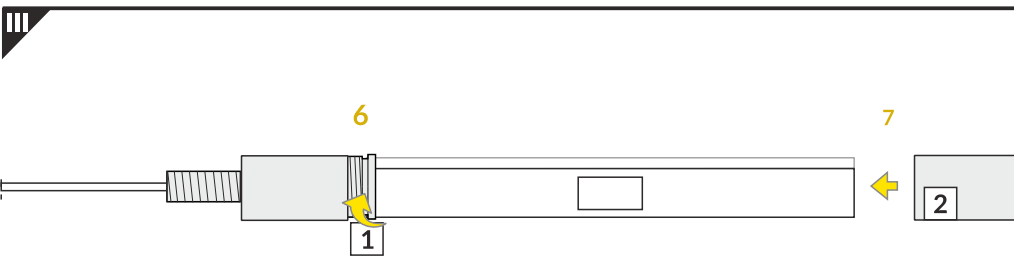
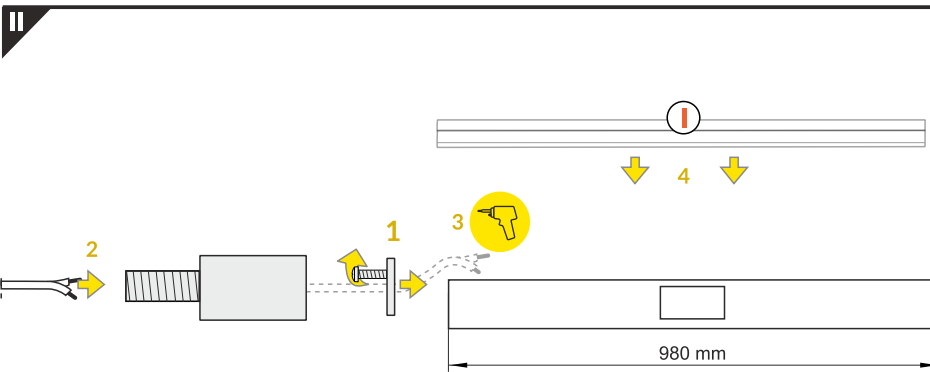
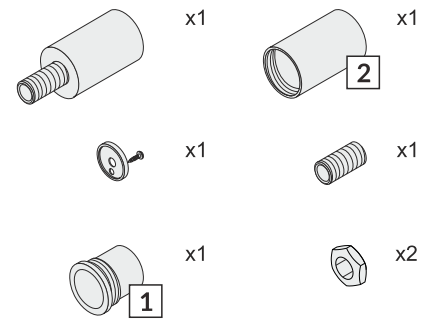
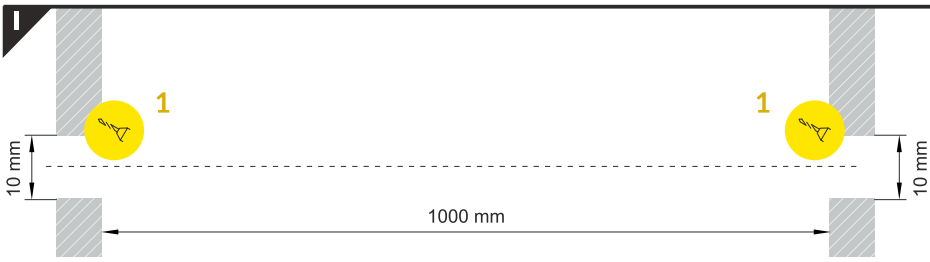
ring holder



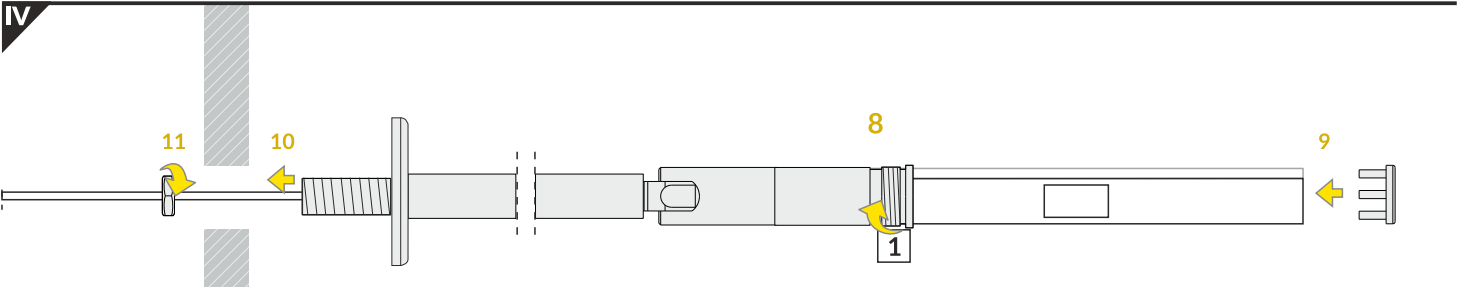
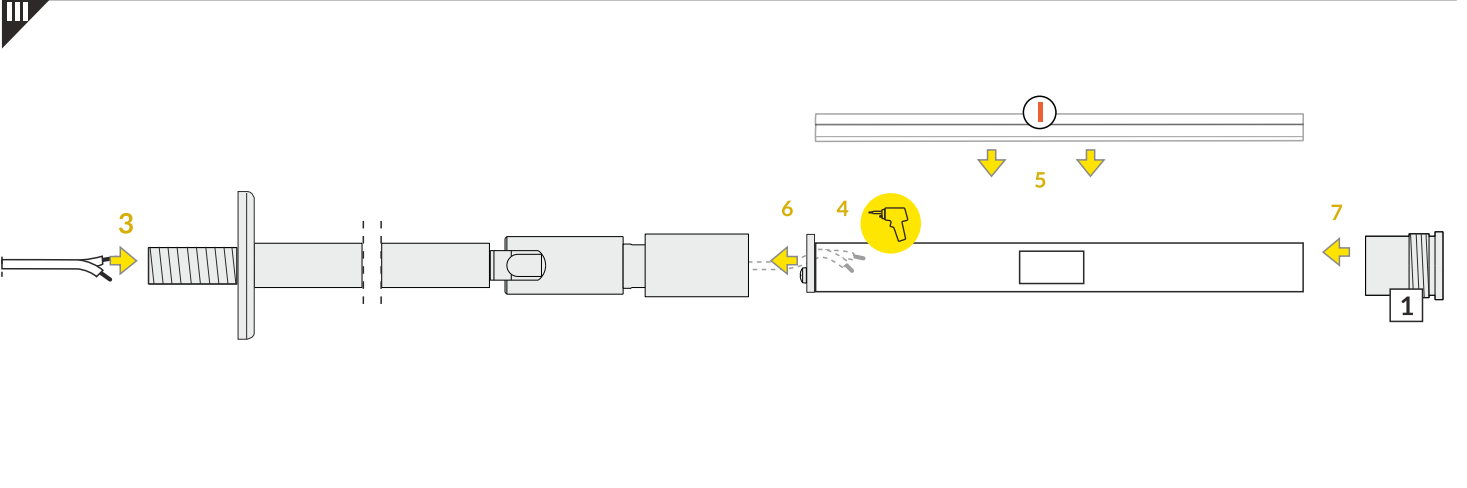
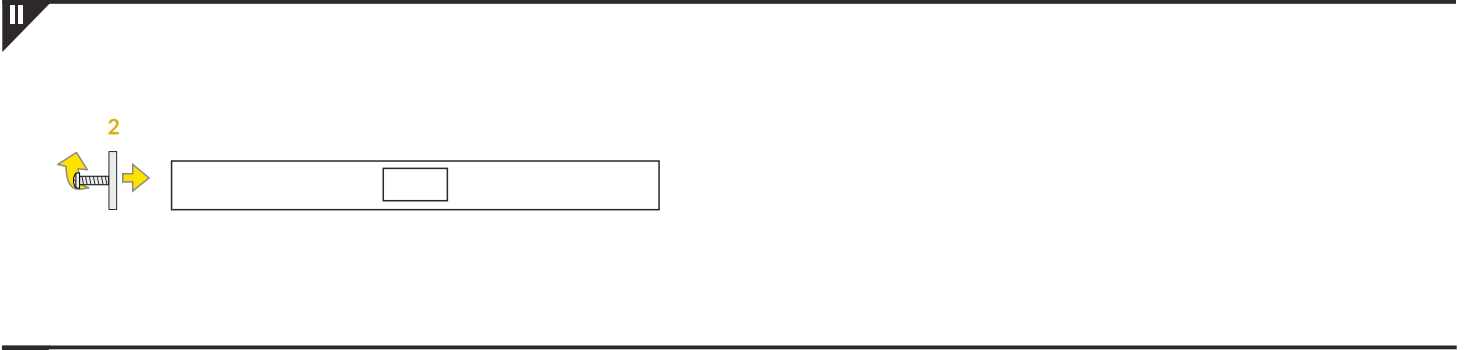
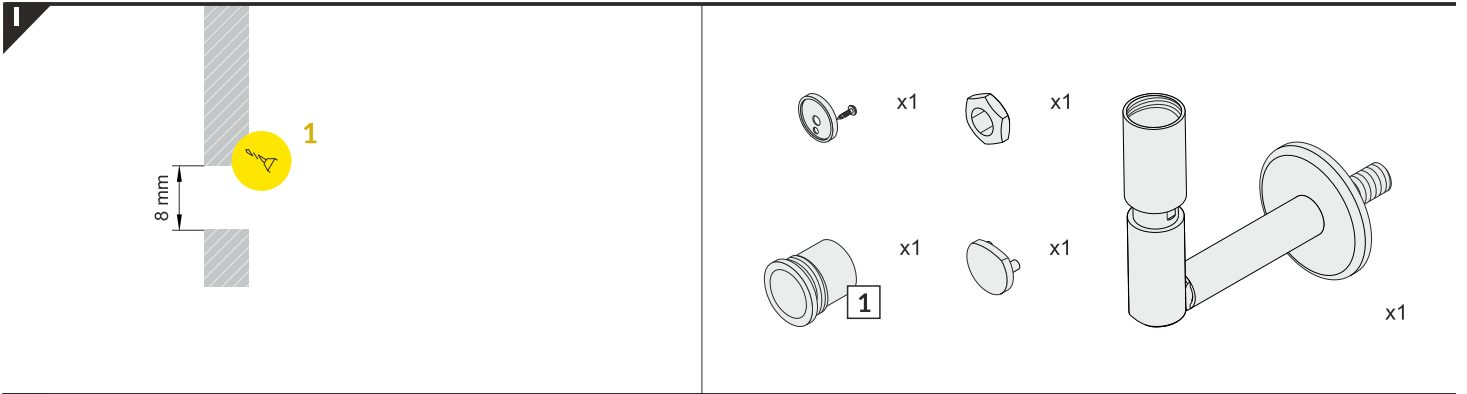
holder flat



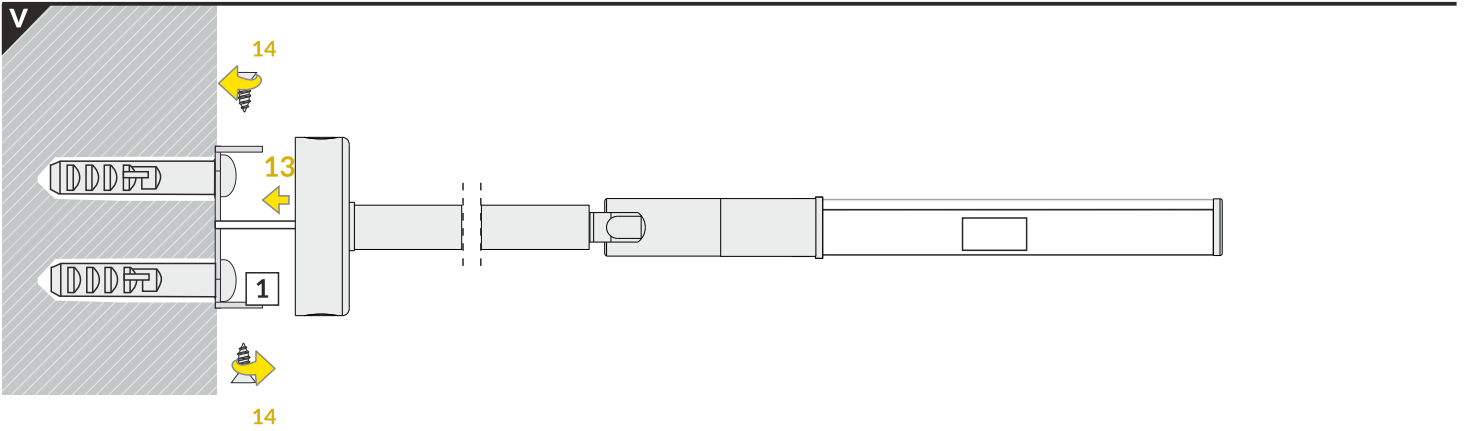
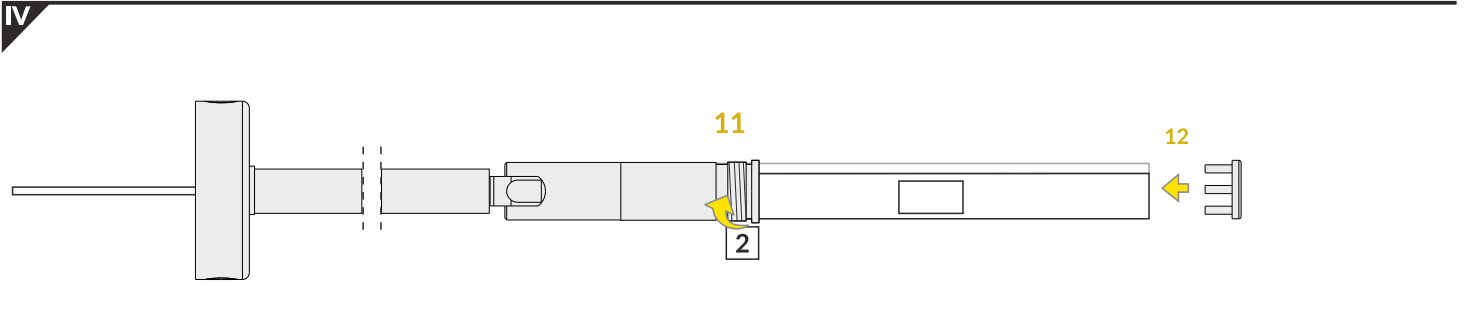
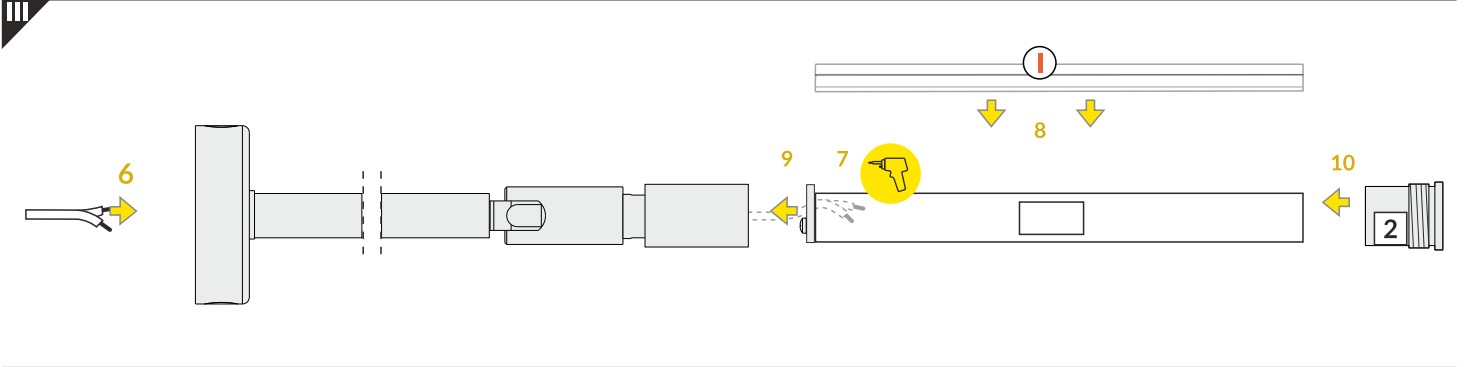
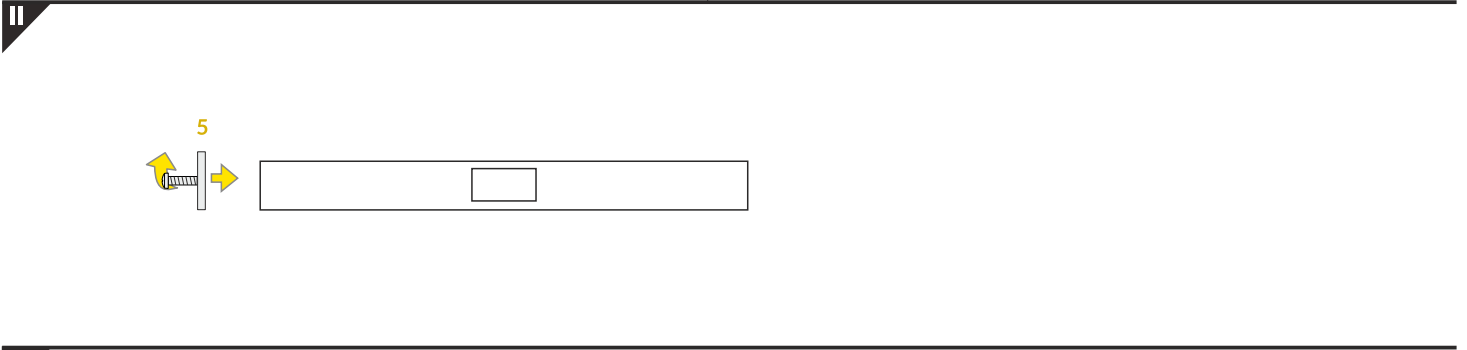
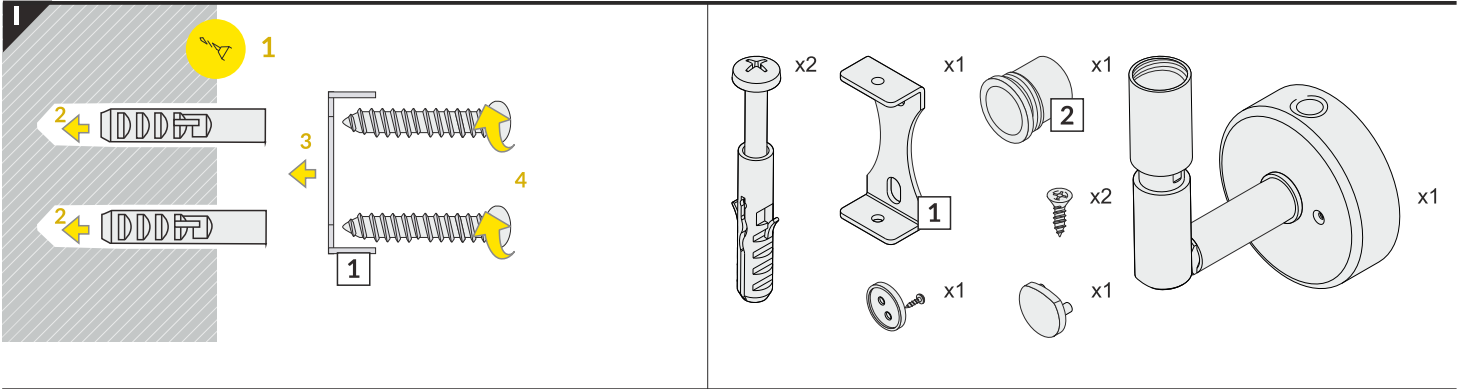
stretcher holder



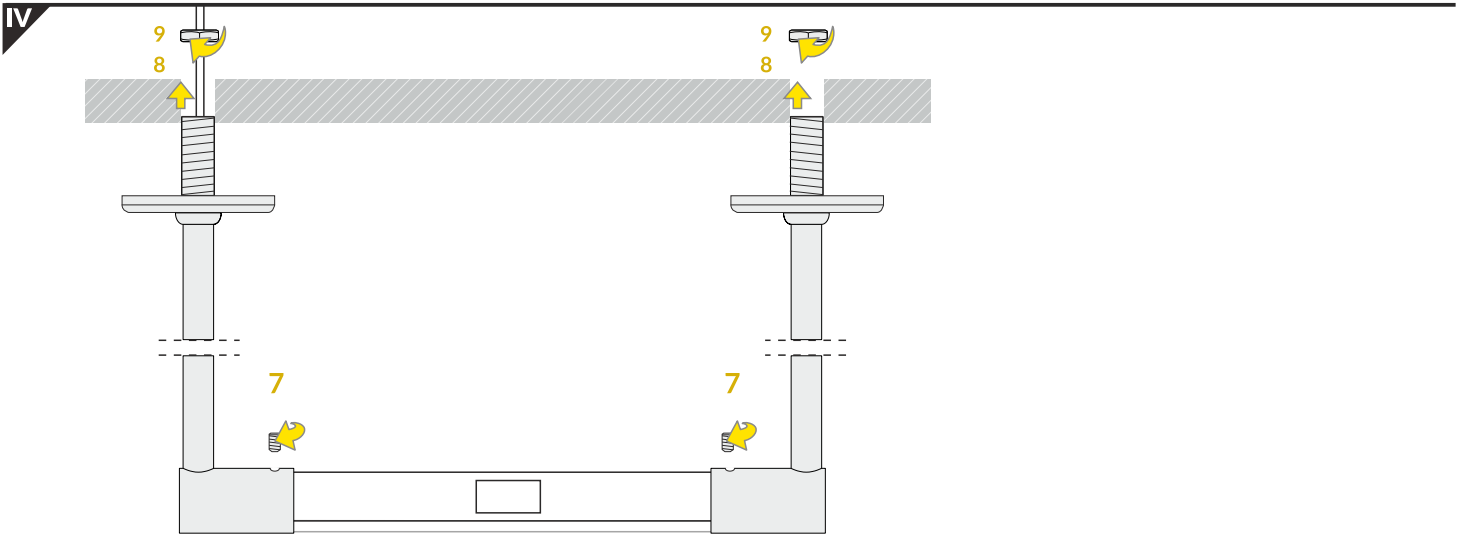
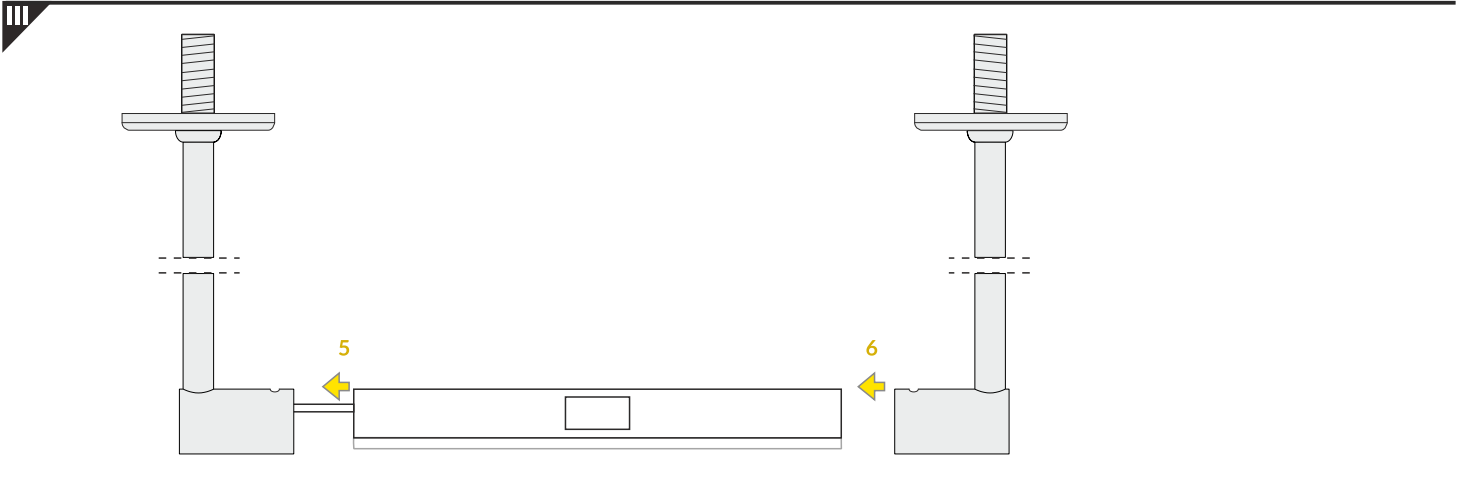
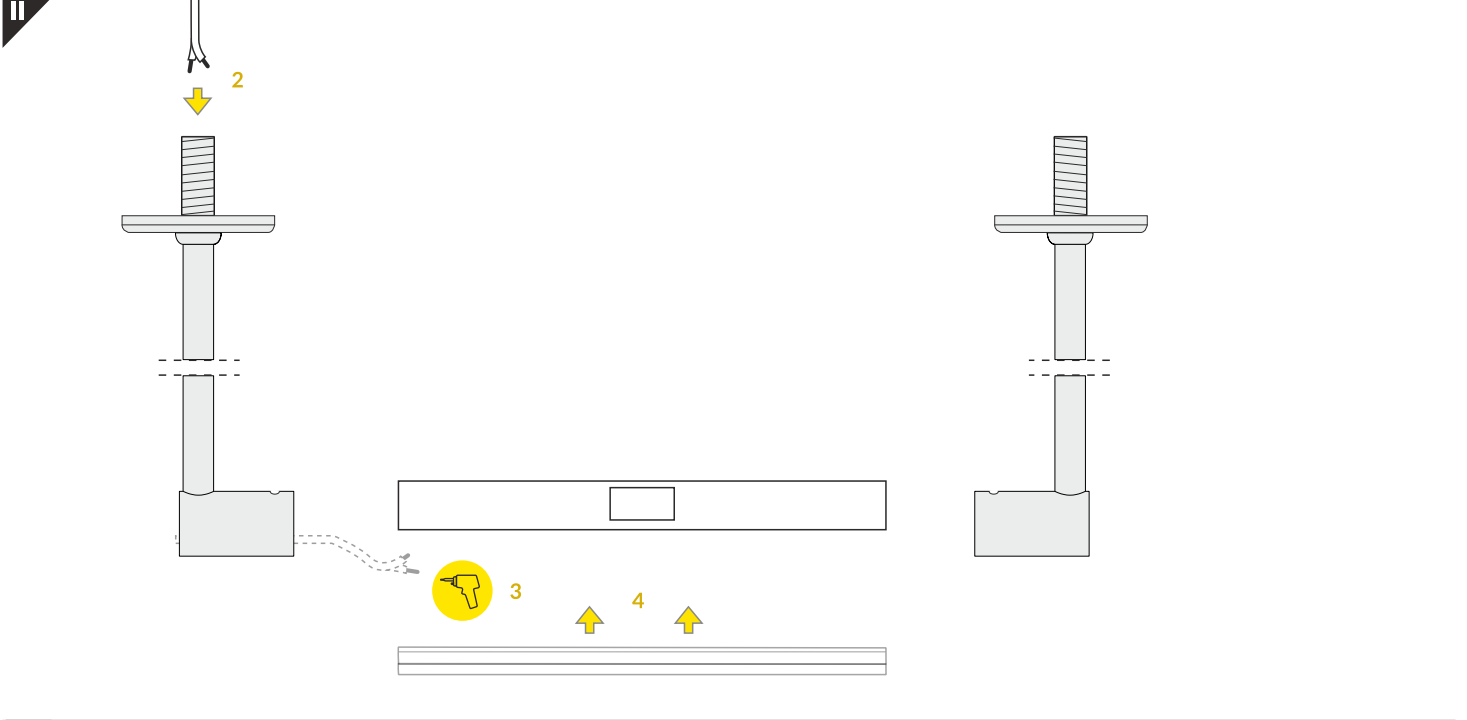
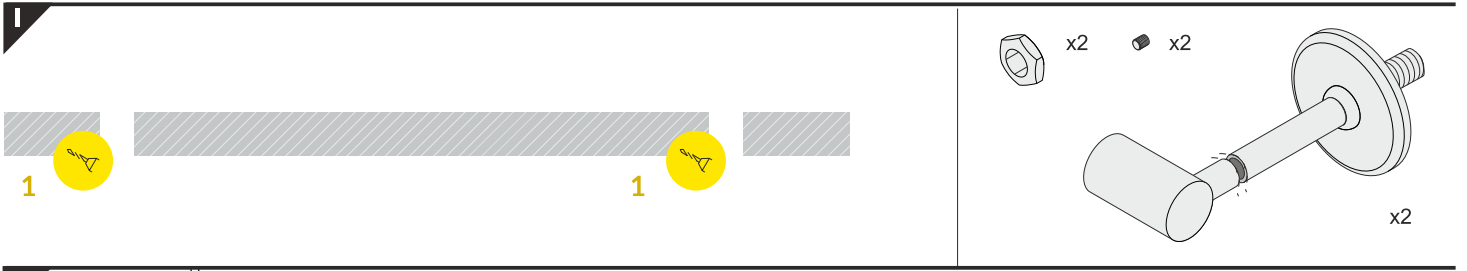
jointed holder with thread



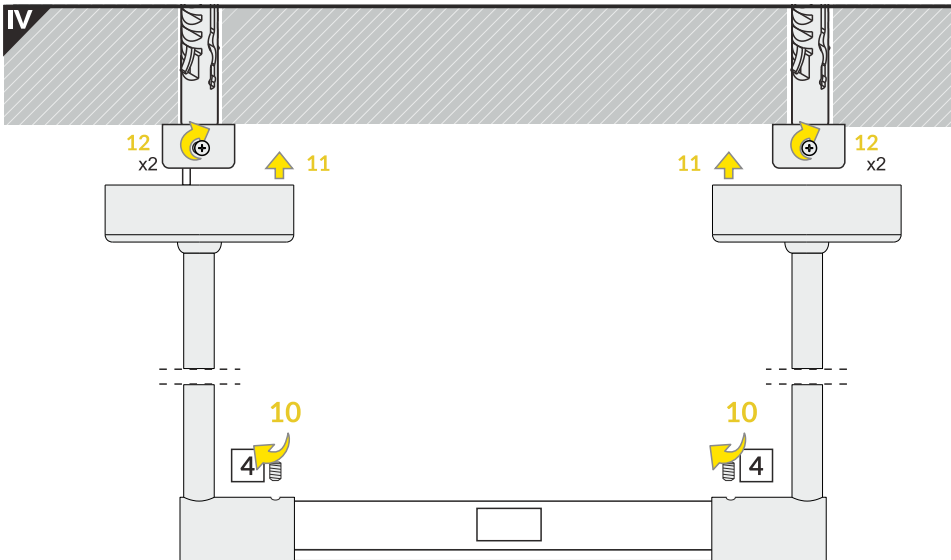
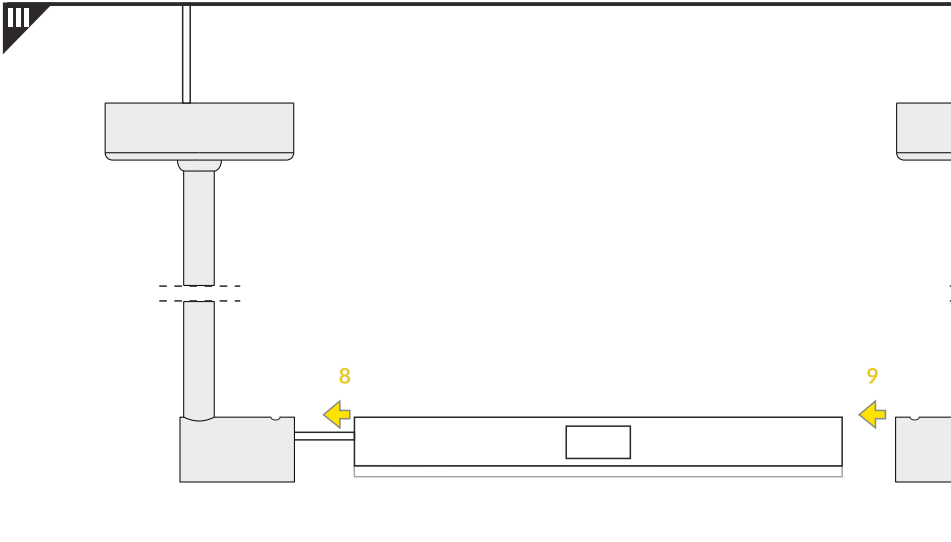
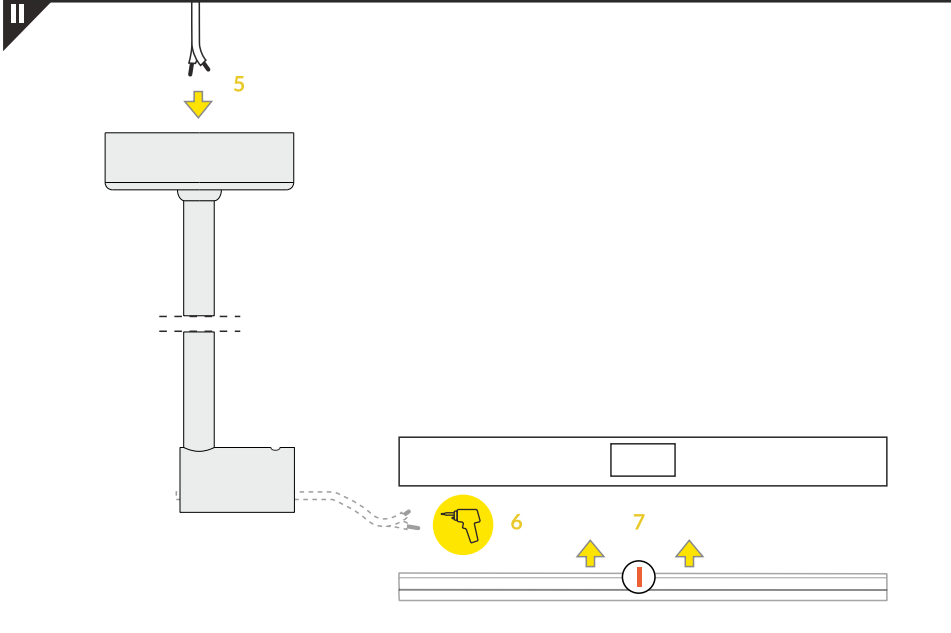
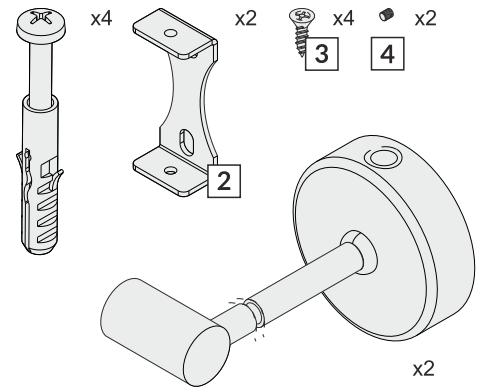
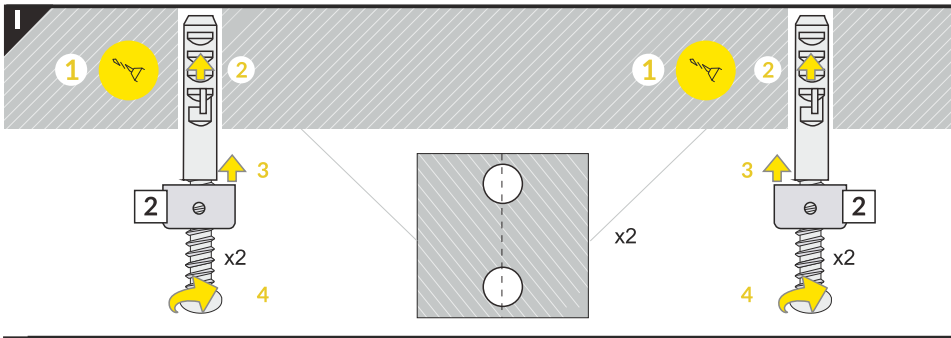
jointed holder with ceiling



double holder with threads



double holder with thread



end holder

