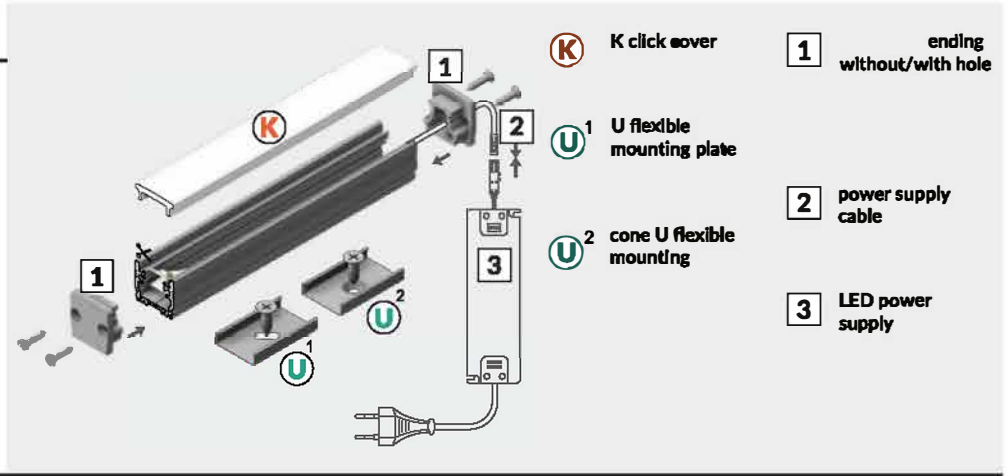
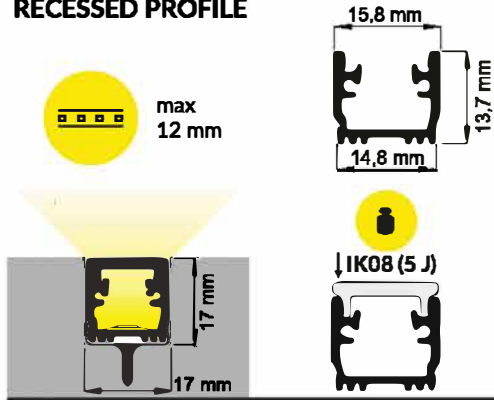


AV7017XIAA

RECESSED PROFILE



scissors



pliers



hacksaw



silicone



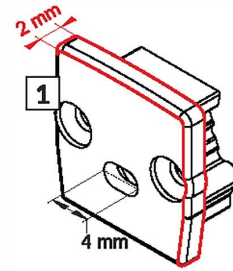
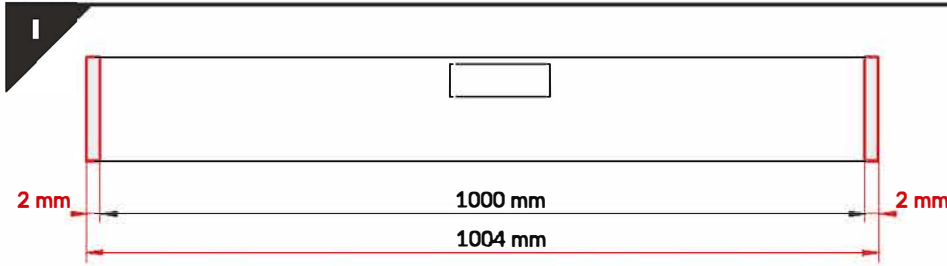
soldering iron



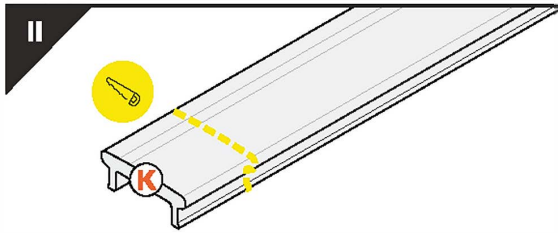
solder



glue



Note! Ending thickness increases the length of the luminaire (+ 2 x 2 mm).



The length of the cover is equal to the length of the profile.

