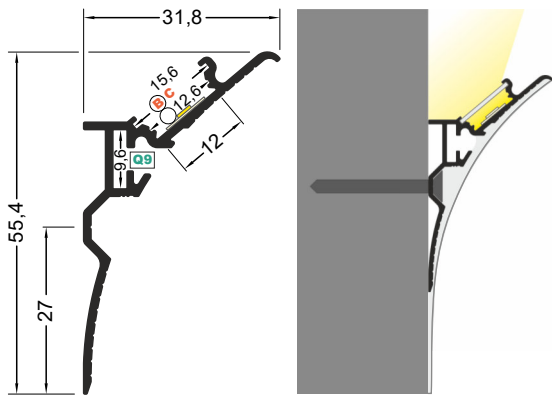


# AV6038XIAA BC/Q9

SPECIAL PROFILE

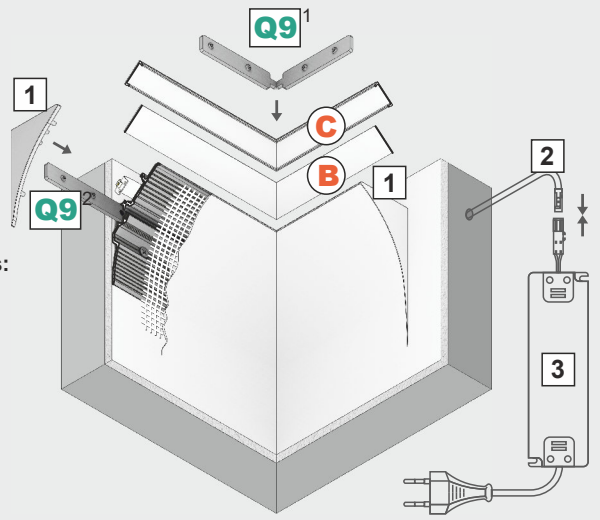
 max 12 mm











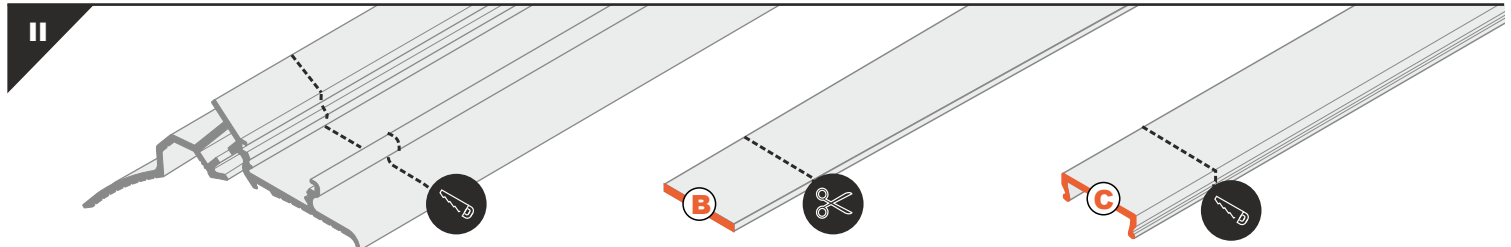
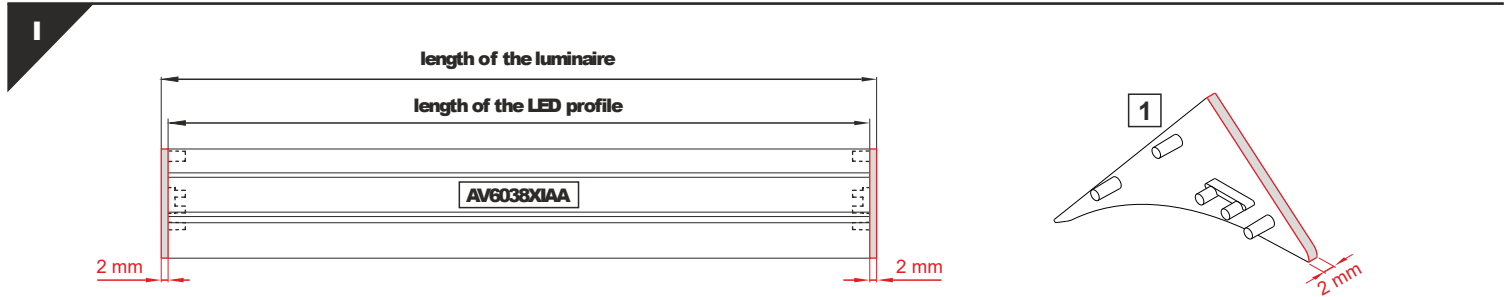
- B** B slide cover
- C** C click cover
- Q9<sup>1</sup>** Q9-90 deg bent connector
- Q9<sup>2</sup>** Q9-180 deg connector

Other angles of Q9 connectors:  
45, 60, 90, 120, 135 deg

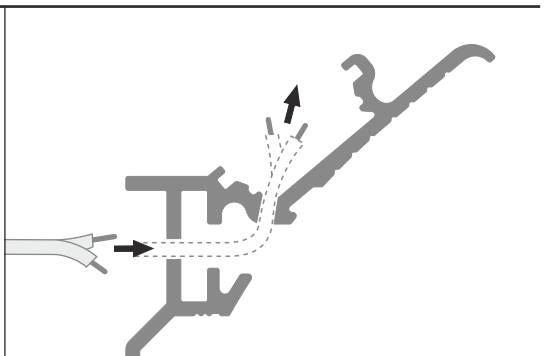
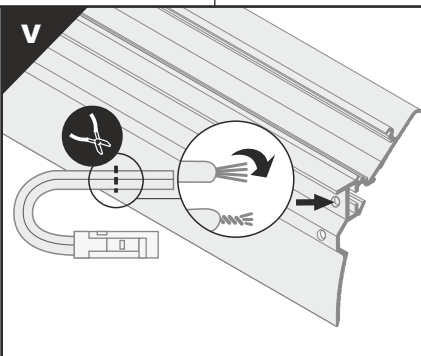
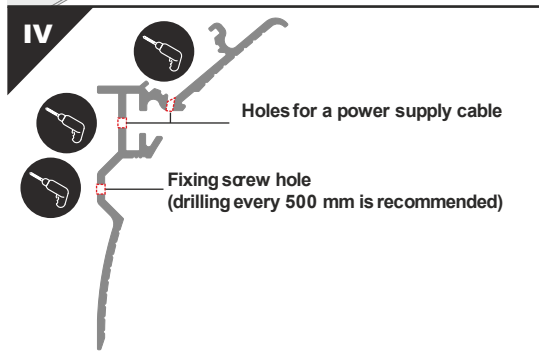
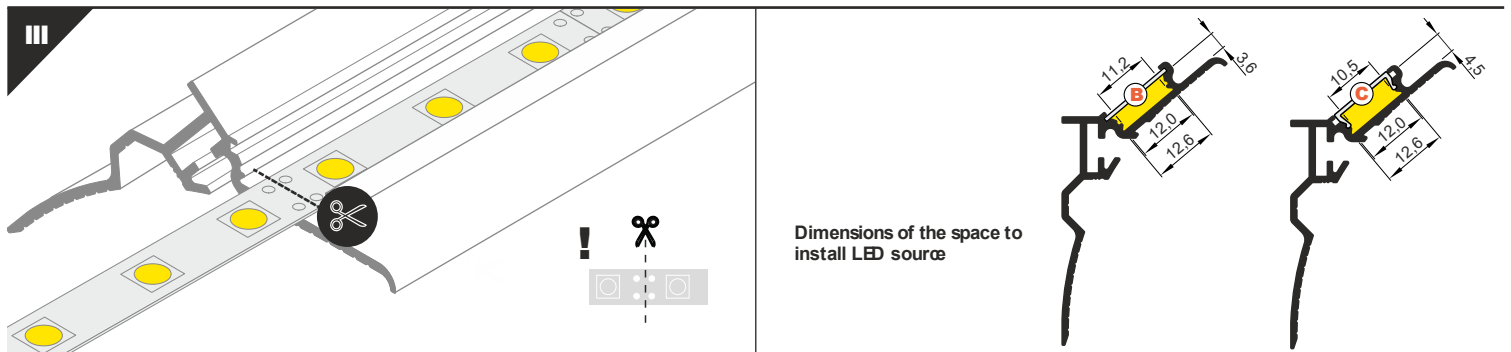
- 1** ending
- 2** power supply cable
- 3** LED power supply

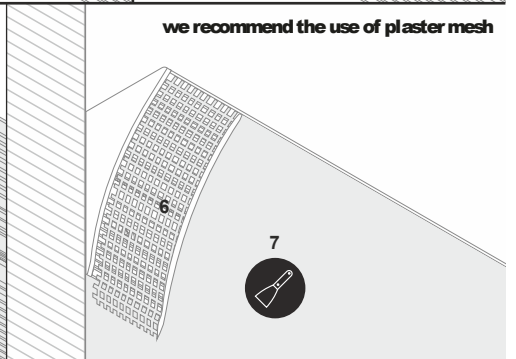
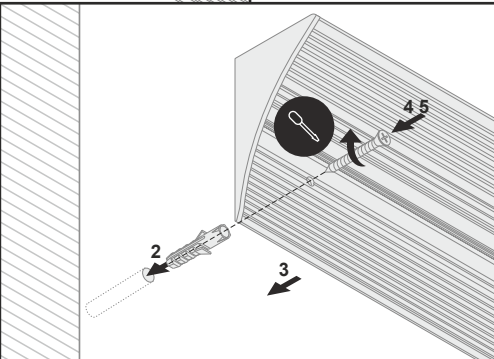
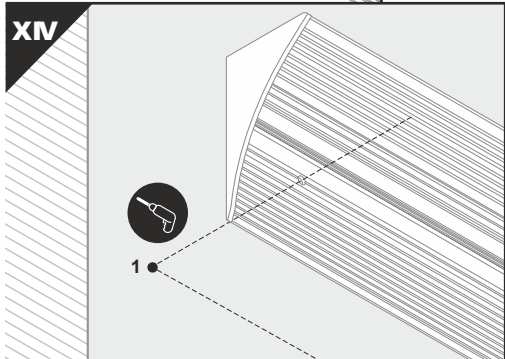
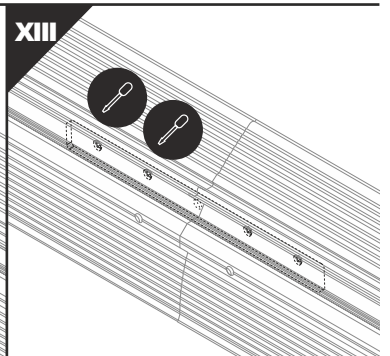
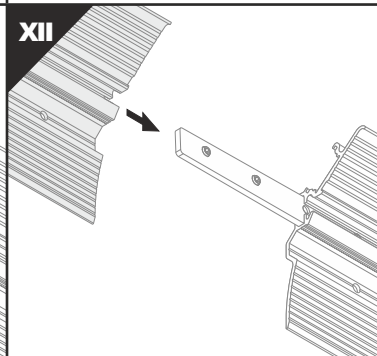
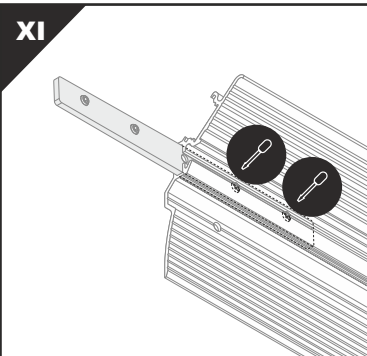
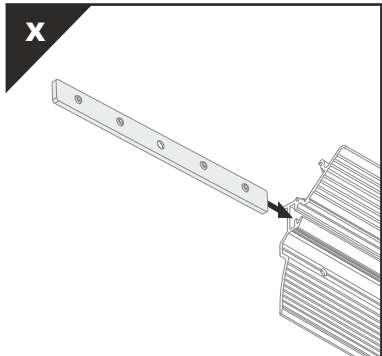
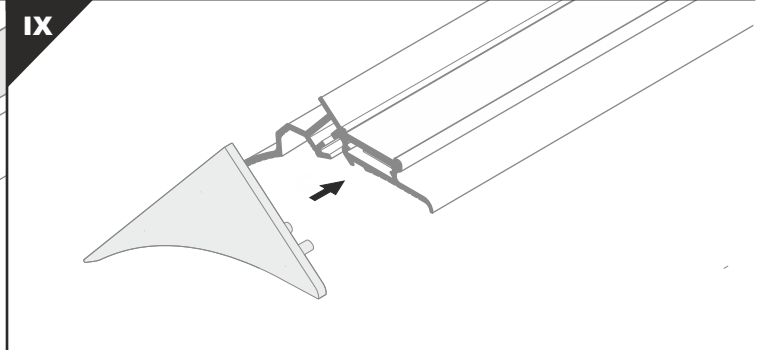
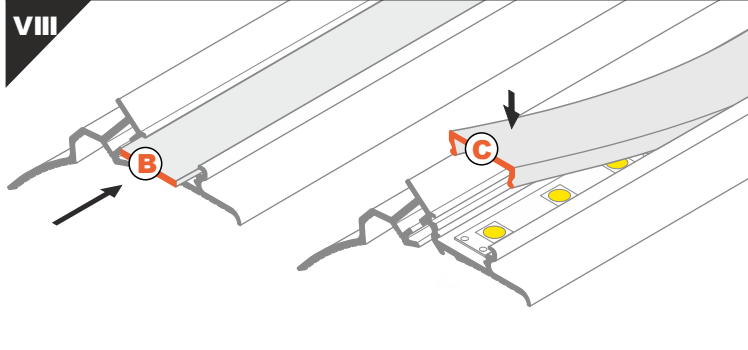
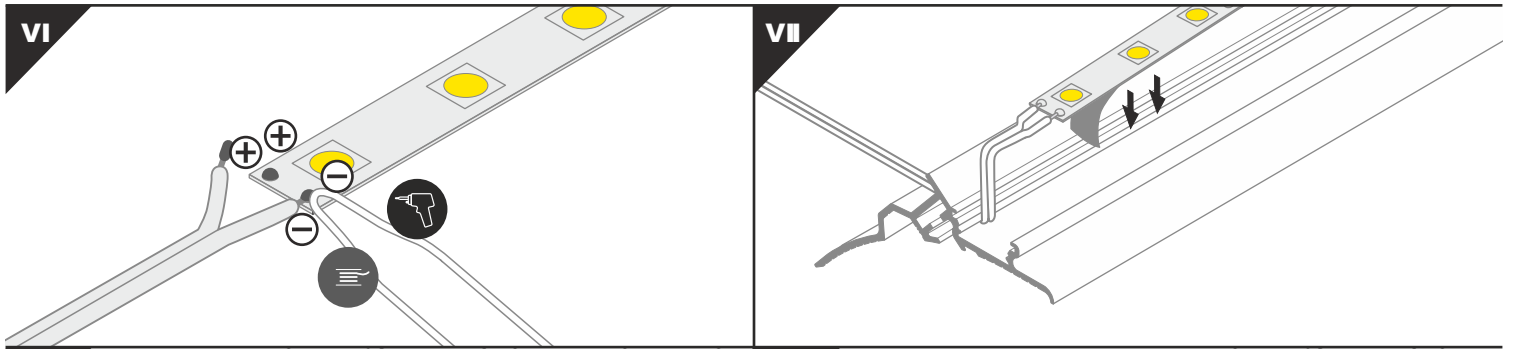


-  scissors
-  hacksaw
-  pliers
-  solder
-  soldering iron
-  screwdriver
-  drill
-  spatula

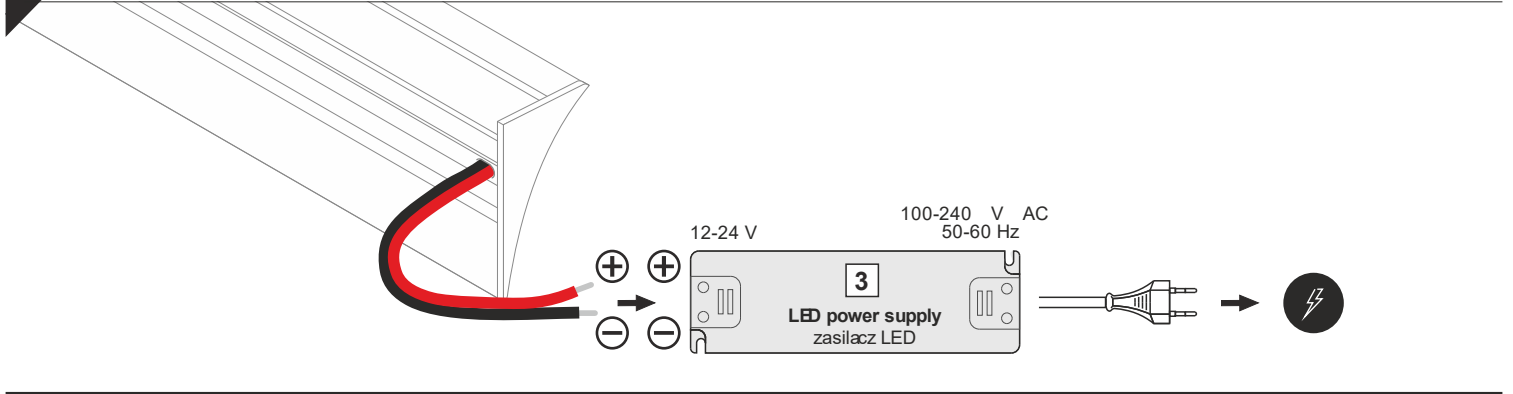


The length of the cover is equal to the length of the profile.





**XV POWER SUPPLY**



**ACCESSORIES**

- power switches
- controller + remote
- movement sensors