

PROFILO IN POLICARBONATO MINI 2MT

OPACO



Max.14,4W/mt

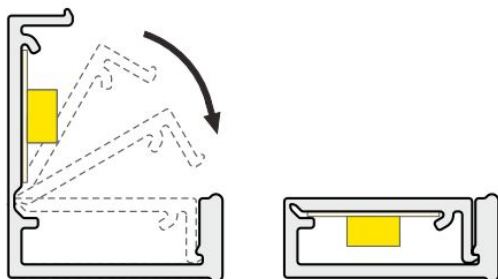


Larghezza max.8mm

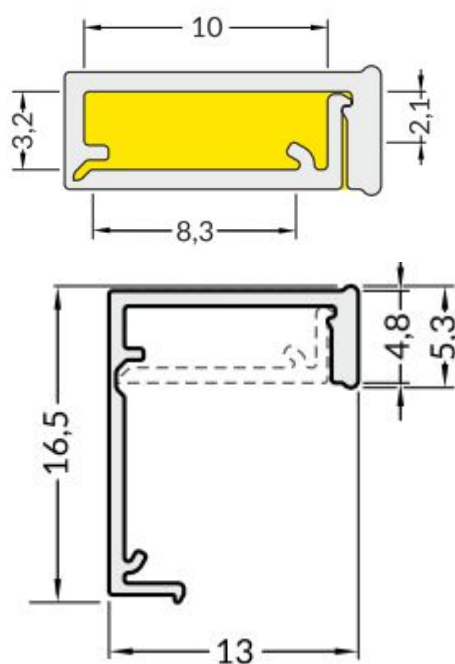


CODICI

AV5252XIAA 2mt

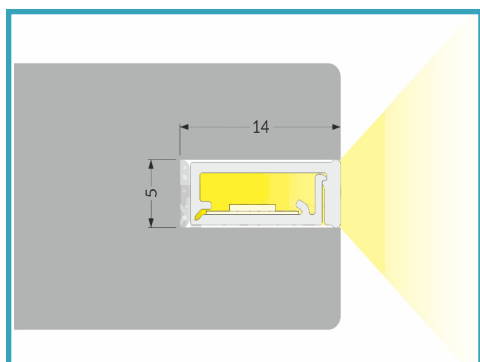


DIMENSIONI



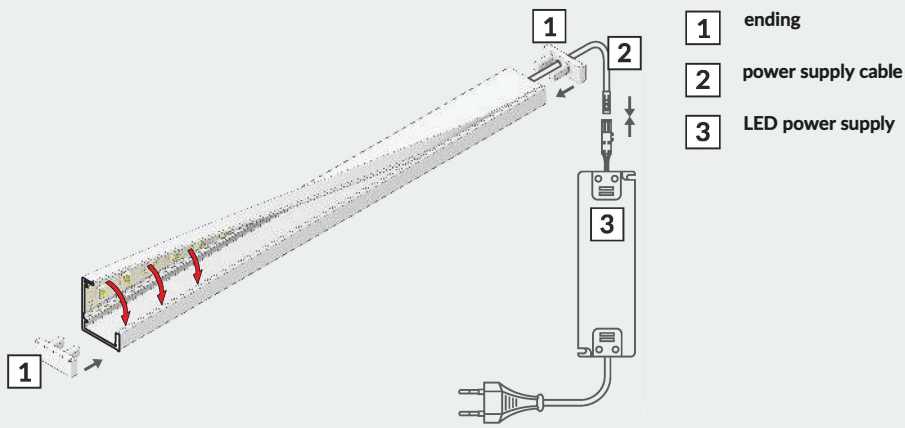
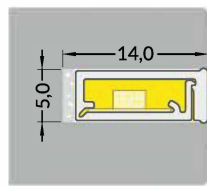
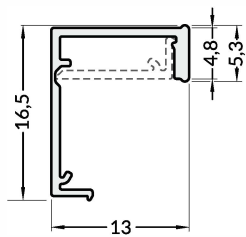
MATERIALE








Polycarbonato opaco

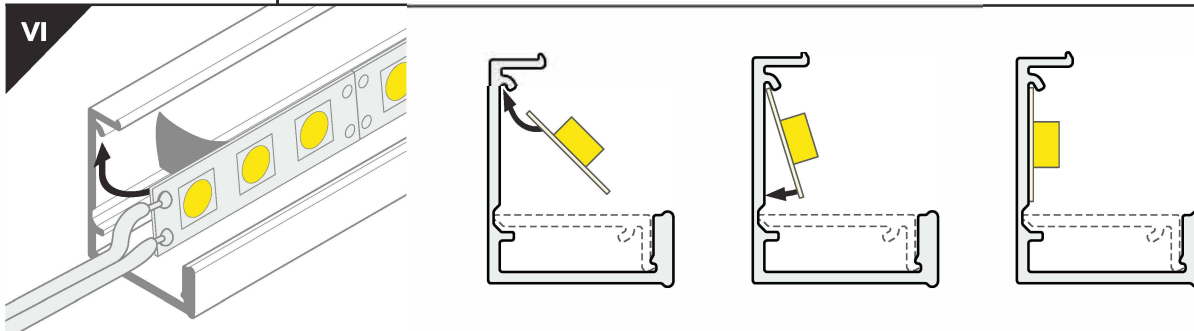
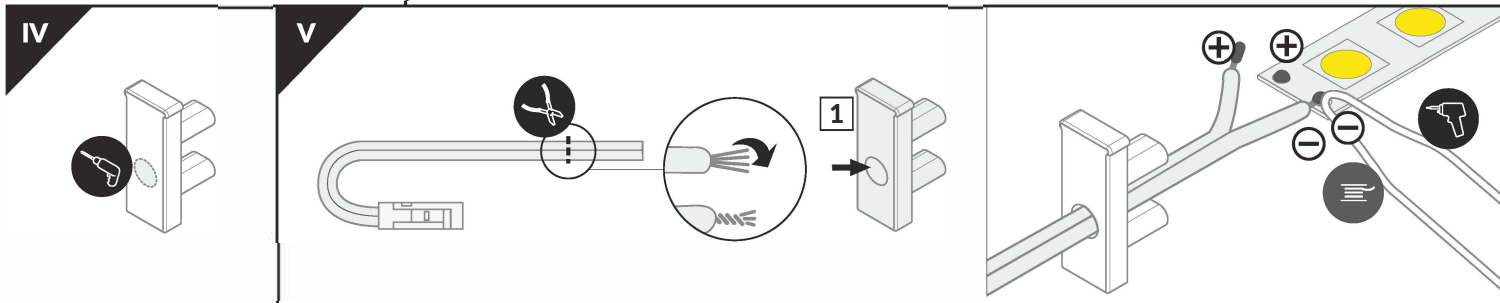
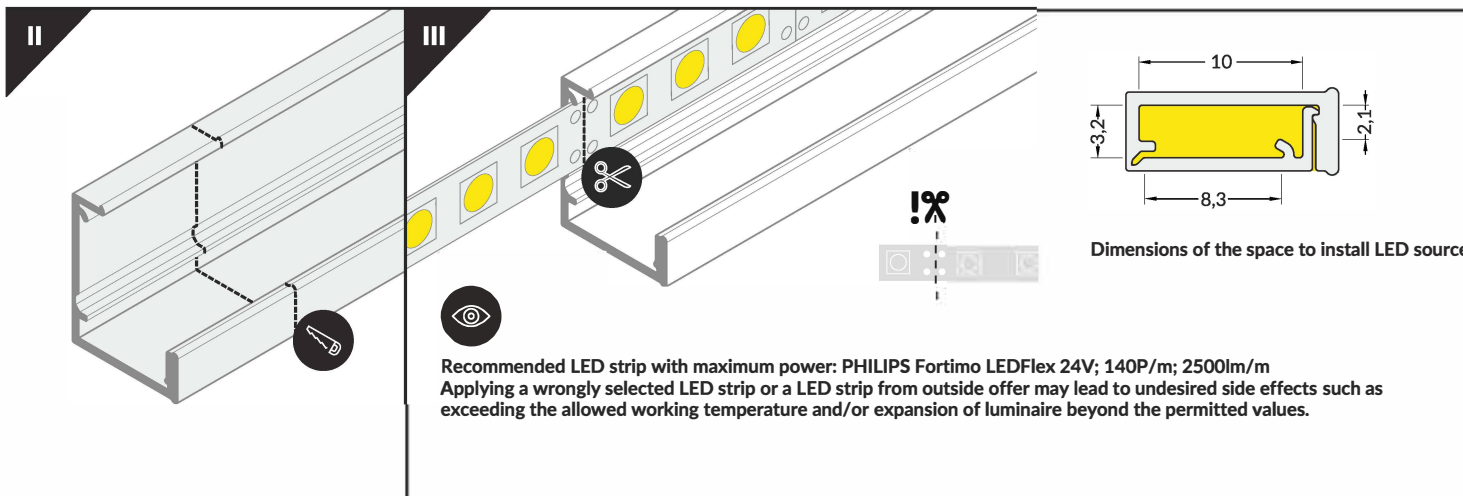
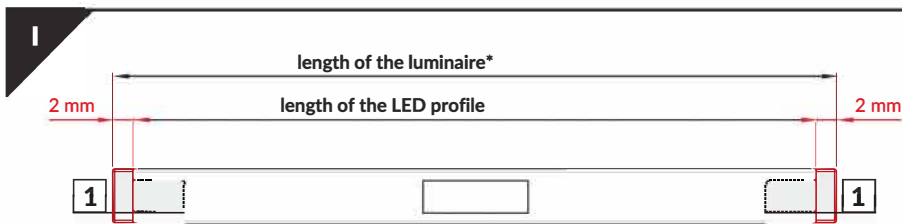


AV5252XIAA PROFILO AV5253XIAA TAPPI

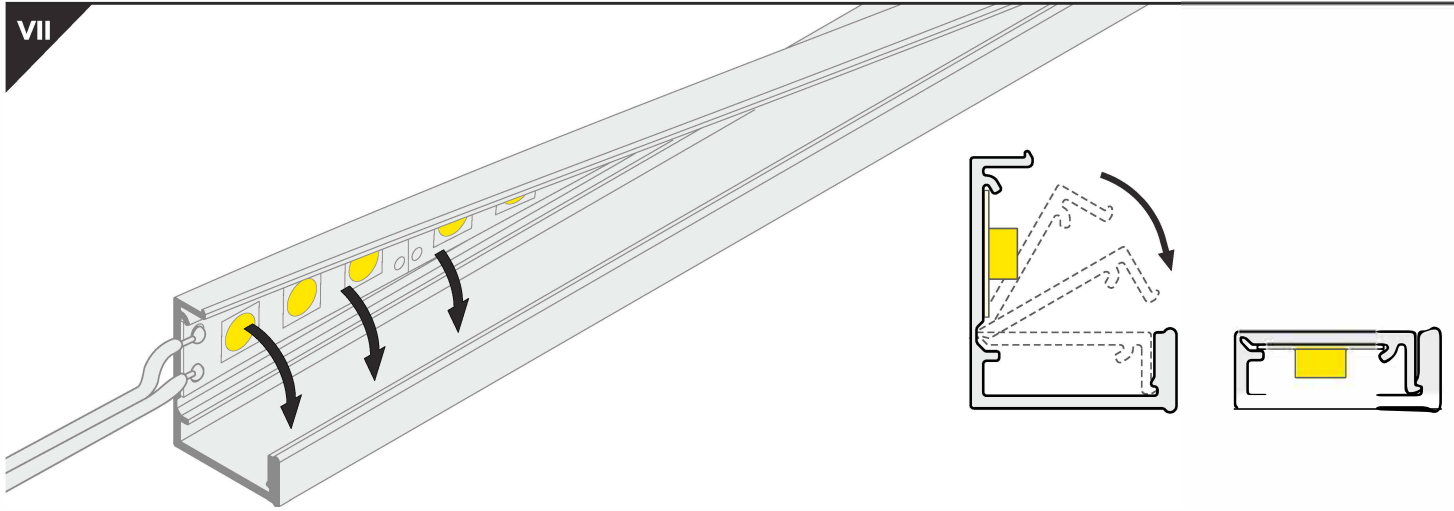
 8 mm



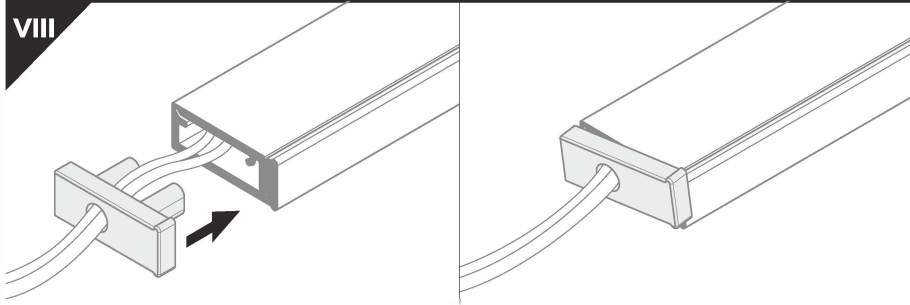
-  scissors
-  hacksaw
-  pliers
-  solder
-  soldering iron
-  glue
-  drill



VII



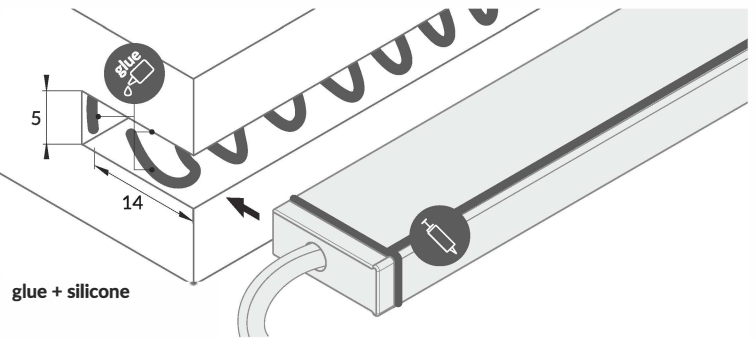
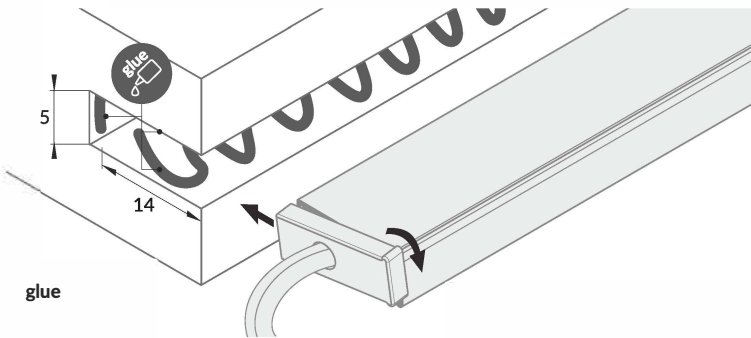
VIII



IX MOUNTING



Pay attention to the correct positioning of the ending



Possibility of curved mounting: minimum bend radius = 25 cm



In areas with high humidity, the connections should be secured with silicone

X POWER SUPPLY

