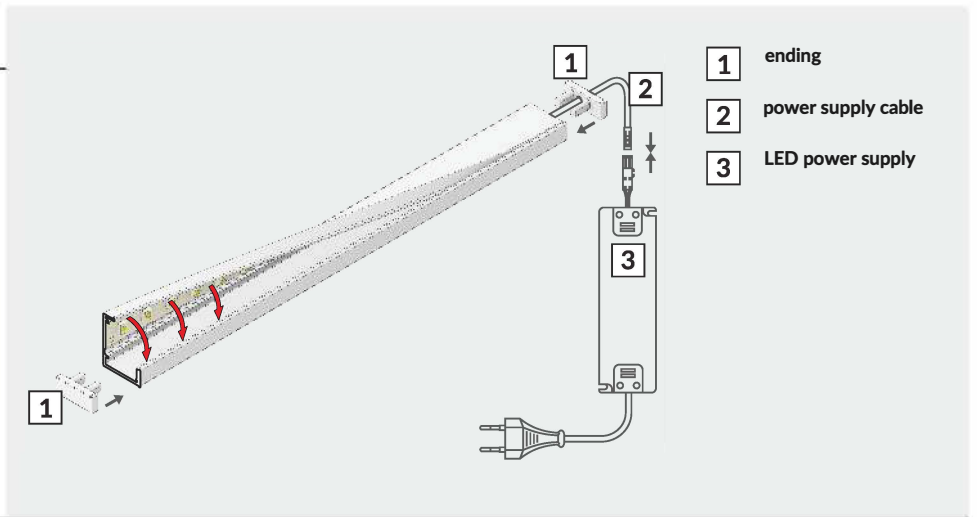
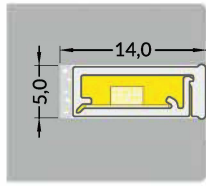
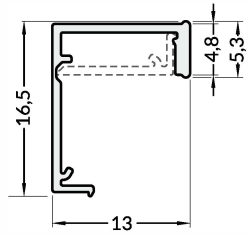


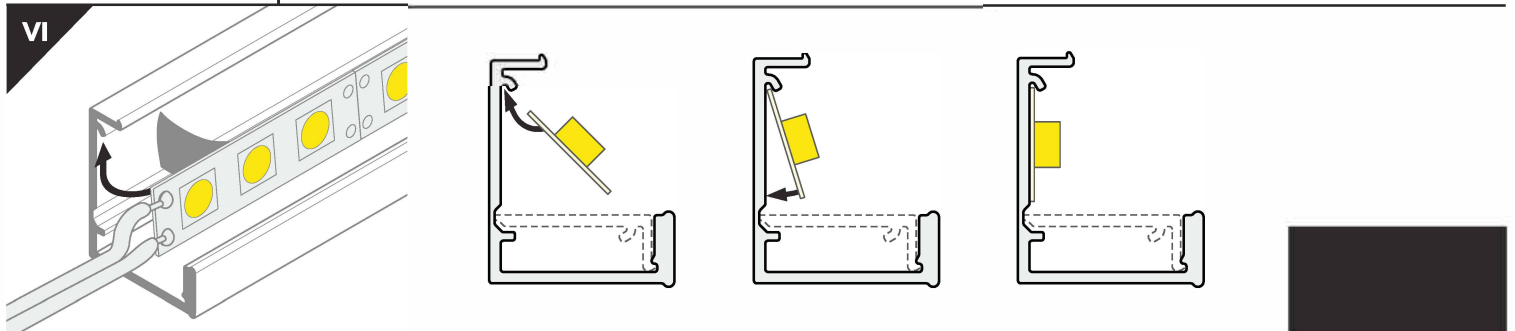
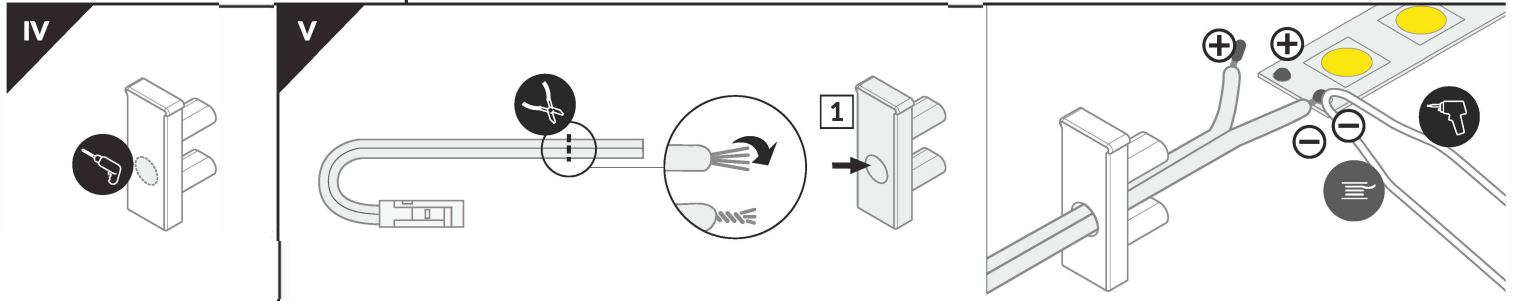
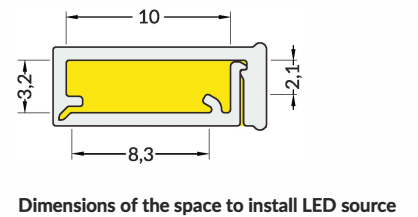
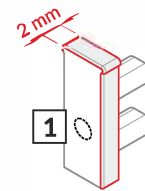
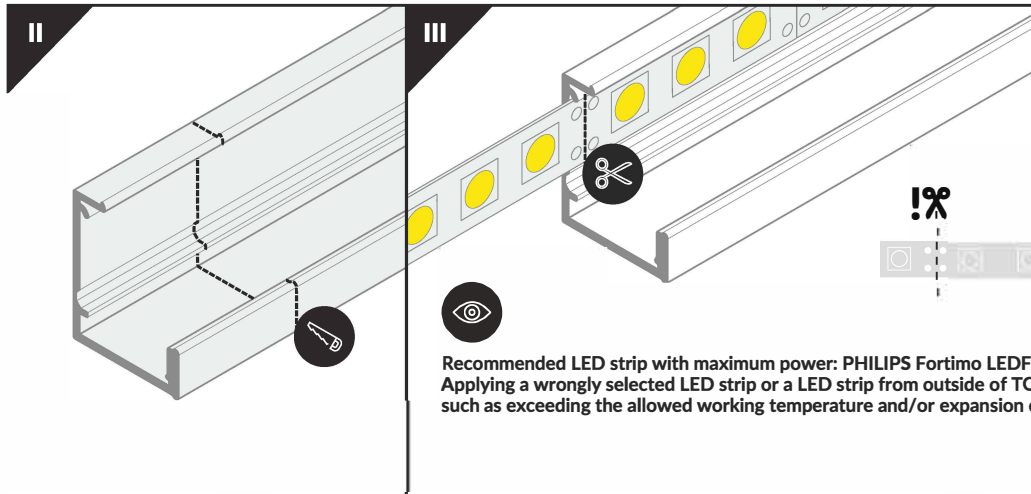
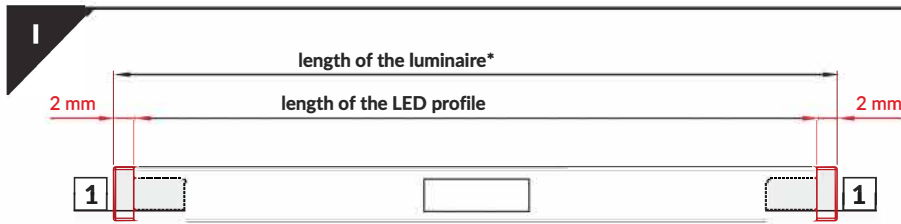
# AV5252XIAA (Profilo)

AV5253XIAA (Chiusure laterali)

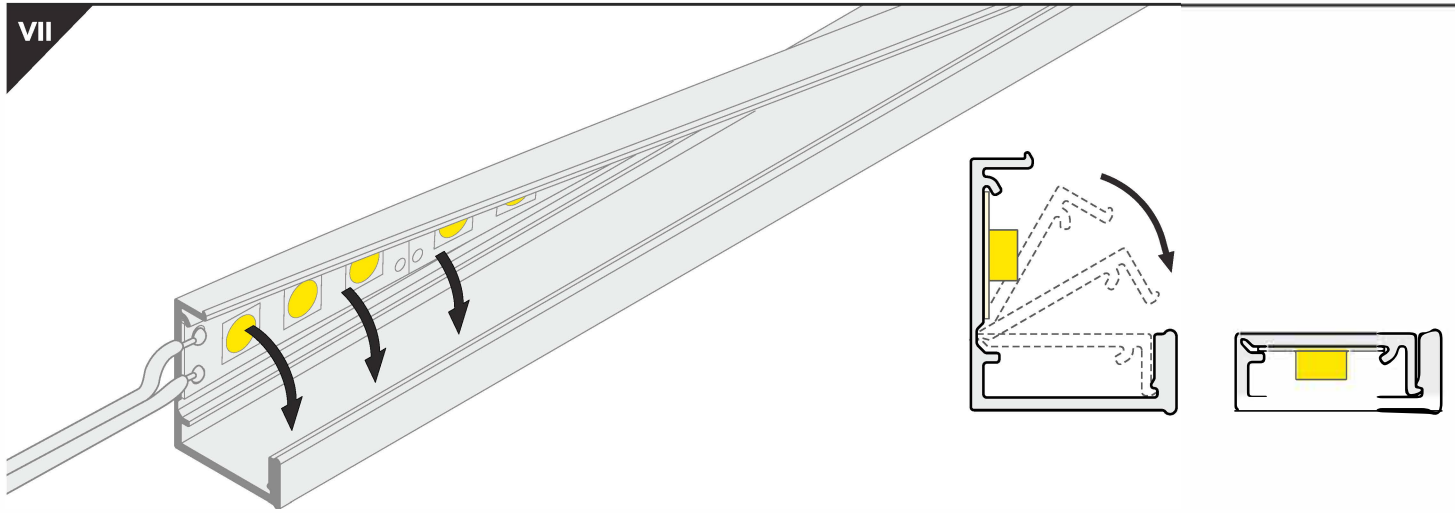


- 1 ending
- 2 power supply cable
- 3 LED power supply

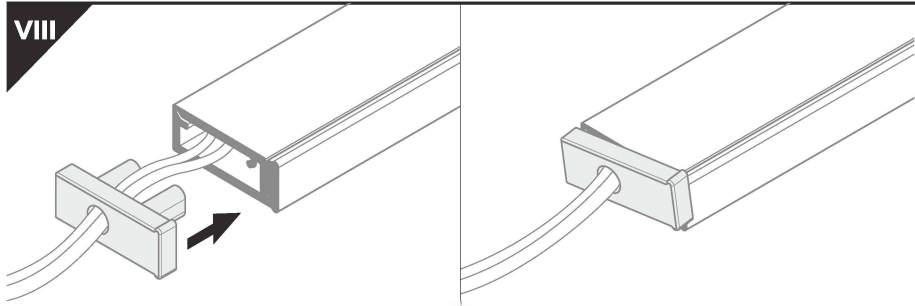
- scissors
- hacksaw
- pliers
- solder
- soldering iron
- glue
- drill



VII



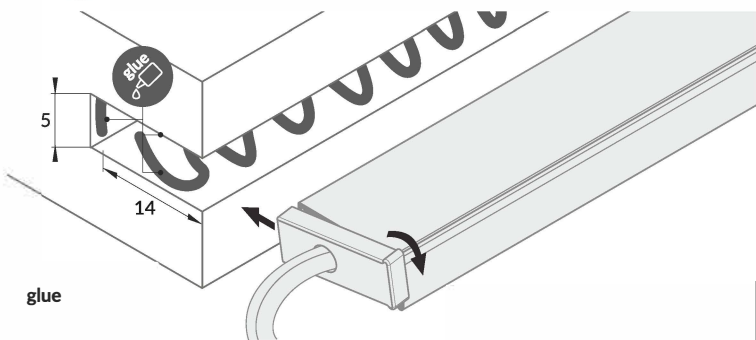
VIII



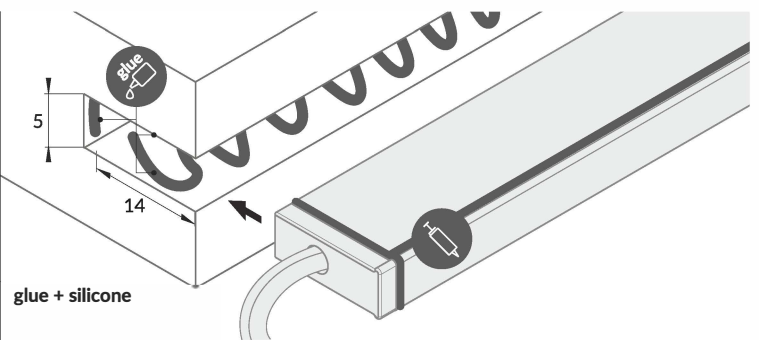
### IX MOUNTING / MONTAŽ



Pay attention to the correct positioning of the ending



glue



glue + silicone



Possibility of curved mounting: minimum bend radius = 25 cm



In areas with high humidity, the connections should be secured with silicone

### X POWER SUPPLY / ZASILANIE

