

AV4466XIAA



max 12 mm



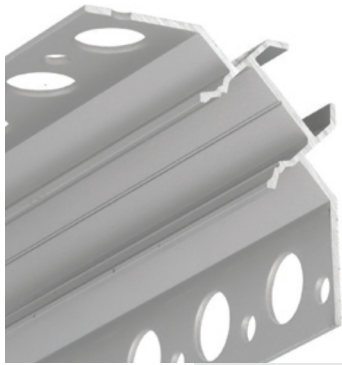
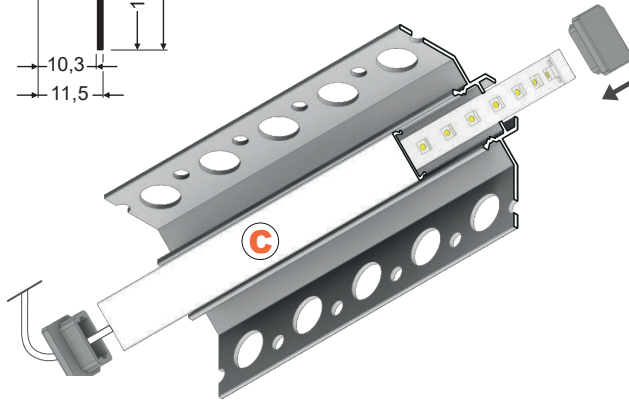
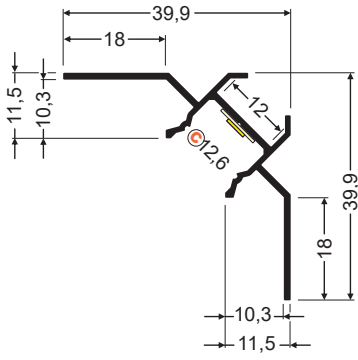
tile-in



architectural

- family of profiles for under-tile mounting
- three mounting angles available: 90, 180, 270 degrees
- for 10 mm tiles
- perforated mounting holes





anodized

- 1000 mm
- 2000 mm
- 3000 mm
- 4050 mm

end cap



grey

