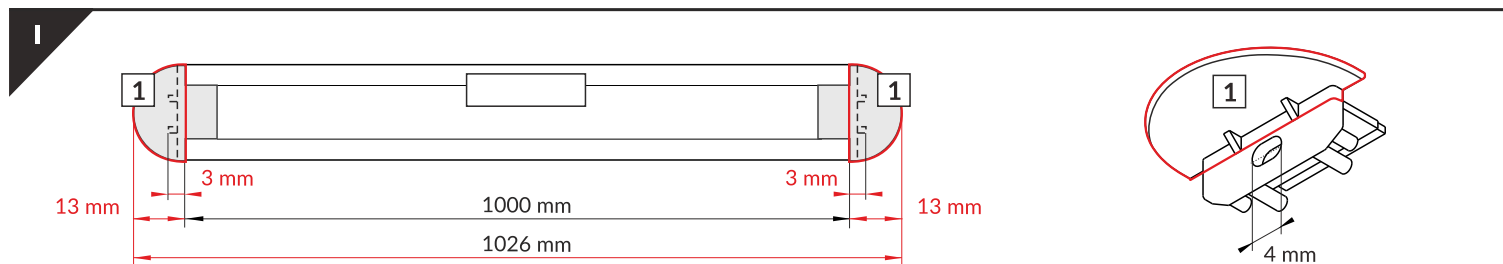
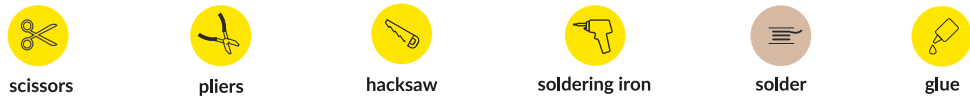
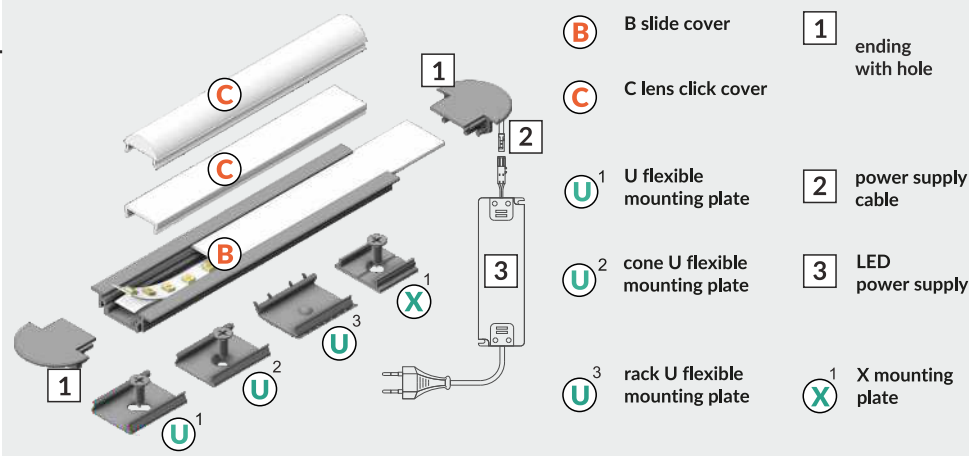
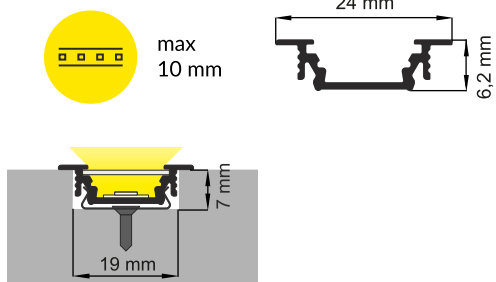
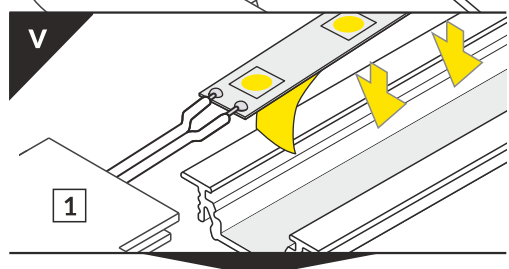
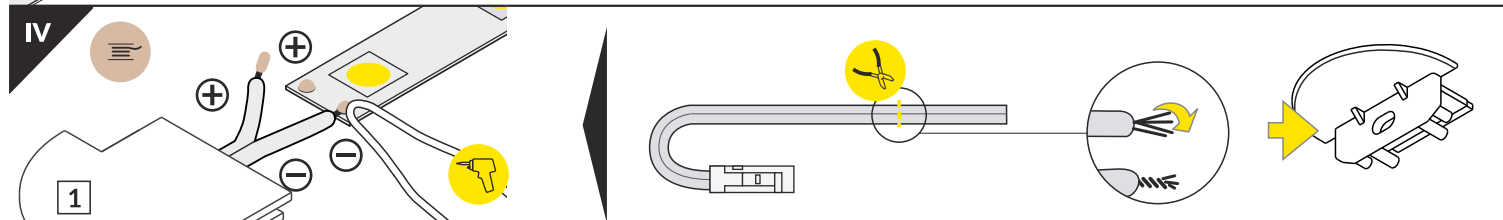
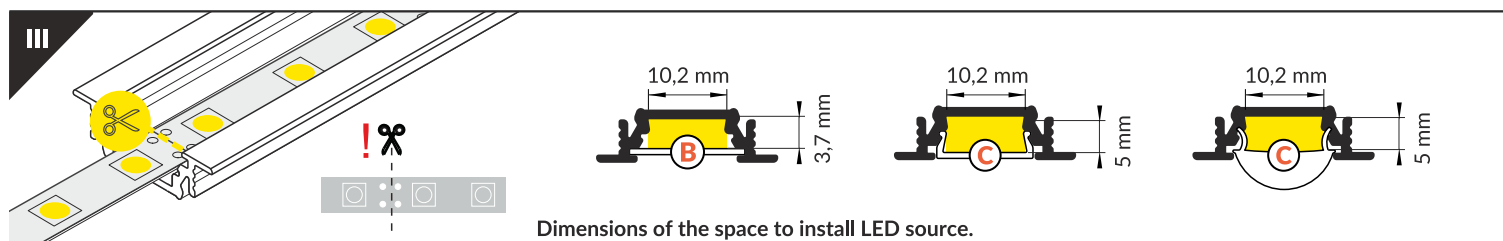
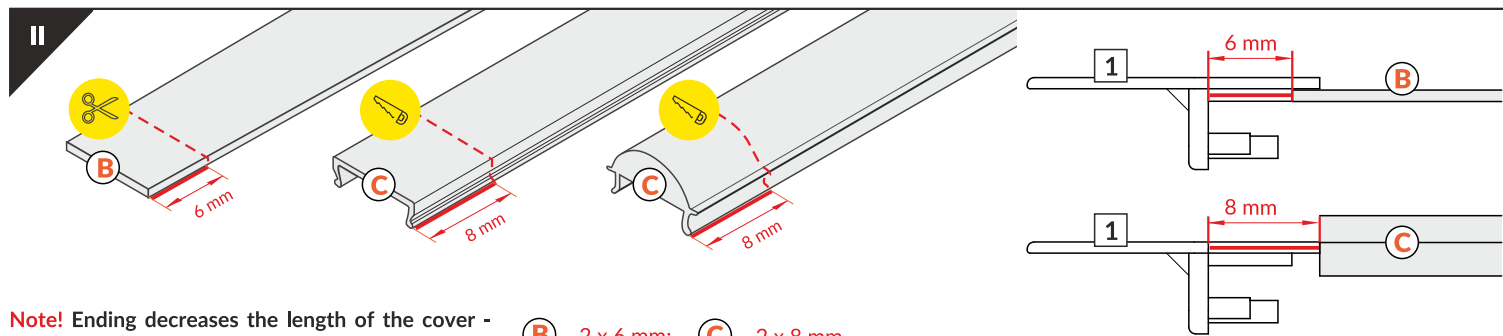


AV5314XIAA BC/UX

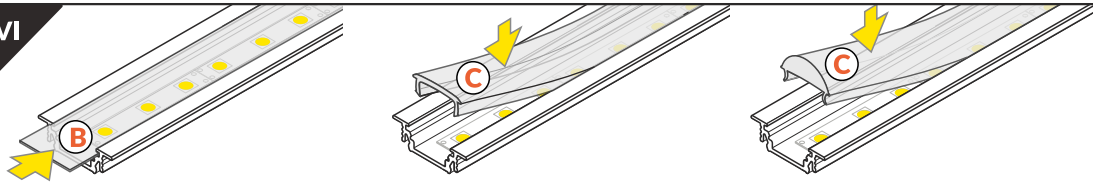
RECESSED PROFILE



Note! Ending thickness increases the length of the luminaire (+ 2 x 13 mm) and the length of the mounting space (+ 2 x 3 mm).



VI

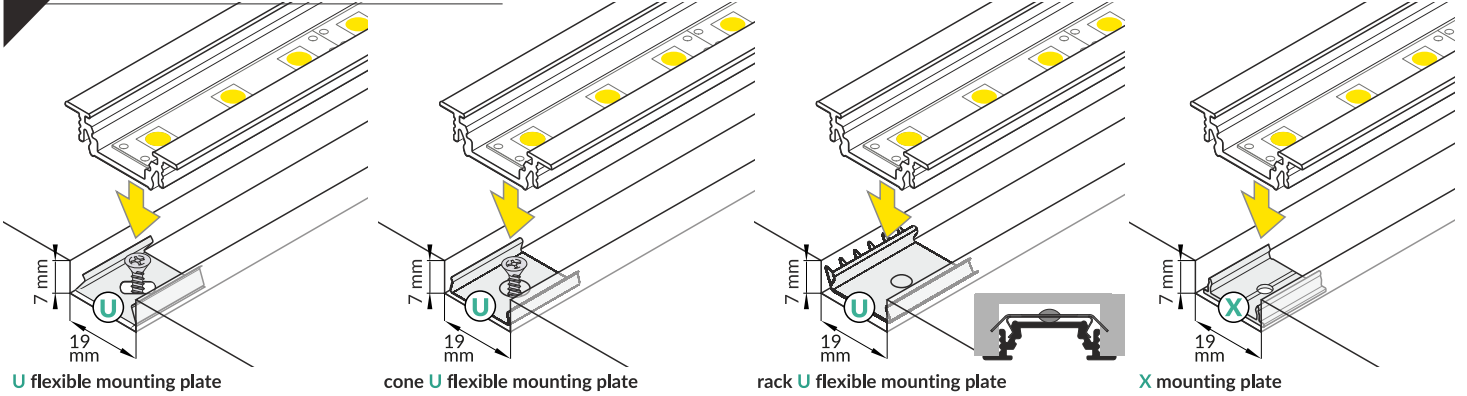


B slide cover

C click cover

C lens cover

VII MOUNTING



U flexible mounting plate

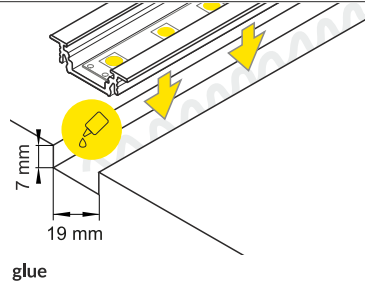
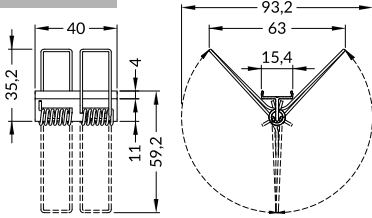
cone U flexible mounting plate

rack U flexible mounting plate

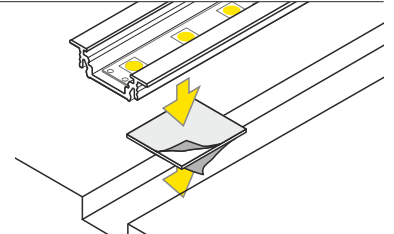
X mounting plate



spring X mounting plate

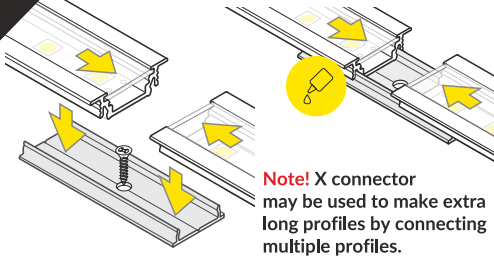


glue



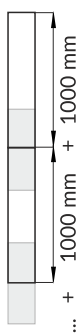
two-sided adhesive tape 25x25

VIII CONNECTORS A

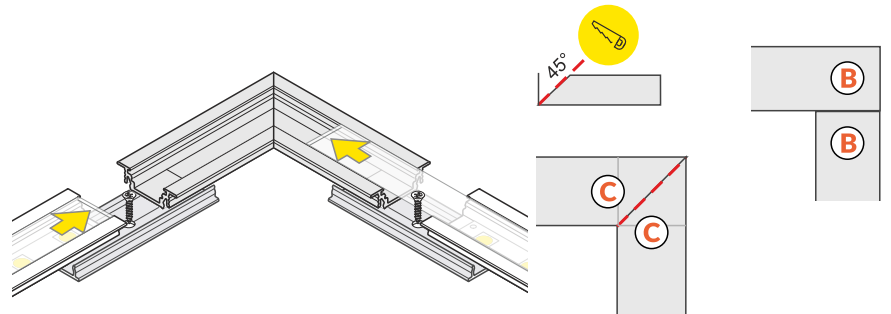


Note! X connector may be used to make extra long profiles by connecting multiple profiles.

X connector



L Connector



IX

