

Instruction Manual

PLEASE READ THESE INSTRUCTIONS CAREFULLY BEFORE INSTALLATION

Spec: Stainless Steel 1W LED UNDERWATER LIGHT, IP68, 12/24V

Note: · A 12/24V transformer or constant voltage driver is required (not included).

-
- Fixtures must be connected in parallel.
- Always switch off the power before installation.
- Fixture is rated as watertight up to a depth of 1 meter.
- The underwater light **MUST** be completely submerged in water during use.
- Ensure that **ALL** electrical connections are tight with no loose strands, including factory made connections.

1. Drill a hole of 40mm diameter in the required location;
Make sure the clearance is at least 55mm. (See Fig 1)

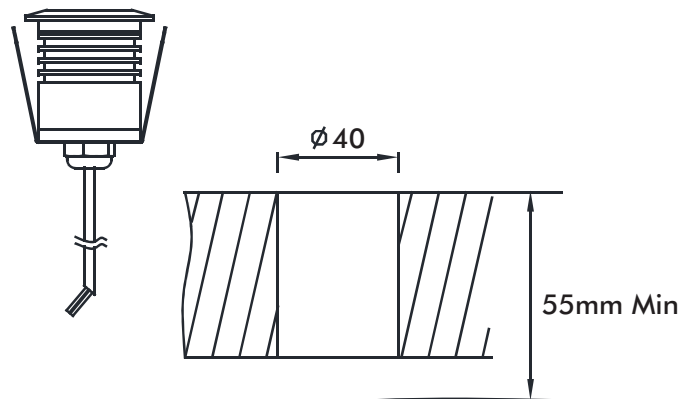


Fig 1

2. Connect the fixture to the 12/24V power cable;
Make sure the wire connection is waterproof.
3. Switch on the power, make sure the light fixture is on.
4. Insert the light fixture into position securely.

CAUTION:

ALL THE INSTALLATION MUST BE COMPLETED BY A QUALIFIED ELECTRICIAN!

Instruction Manual

~~PLEASE READ THESE INSTRUCTIONS CAREFULLY BEFORE INSTALLATION~~

Spec: Stainless Steel 1W LED UNDERWATER LIGHT, IP68, 12/24V

Note: • A 12/24V transformer or constant voltage driver is required (not included).

- Fixtures must be connected in parallel.
- Always switch off the power before installation.
- Fixture is rated as watertight up to a depth of 1 meter.
- The underwater light **MUST** be completely submerged in water during use.
- Ensure that **ALL** electrical connections are tight with no loose strands, including factory made connections.

1. Drill a hole of 40mm diameter in the required location;
Make sure the clearance is at least 55mm. (See Fig 1)

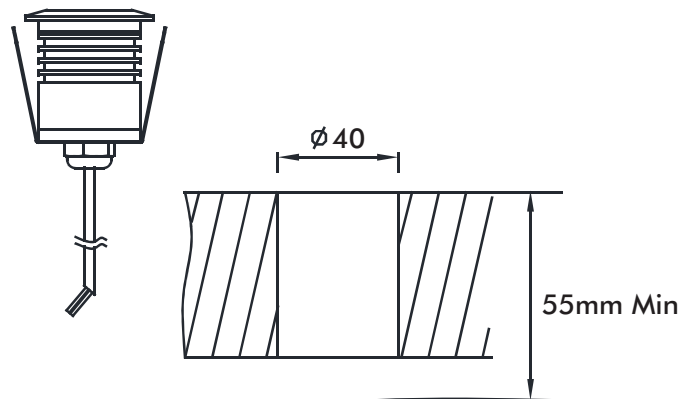


Fig 1

2. Connect the fixture to the 12/24V power cable;
Make sure the wire connection is waterproof.
3. Switch on the power, make sure the light fixture is on.
4. Insert the light fixture into position securely.

CAUTION:

ALL THE INSTALLATION MUST BE COMPLETED BY A QUALIFIED ELECTRICIAN!