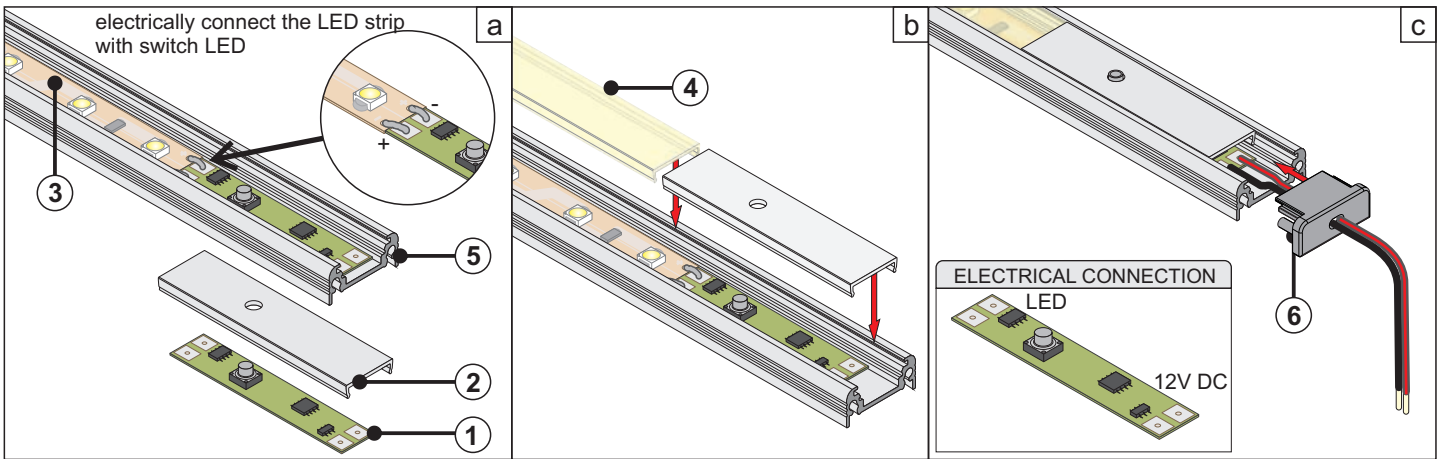


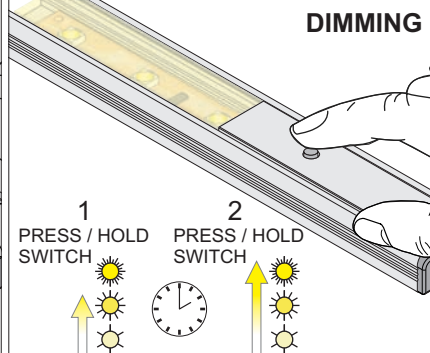
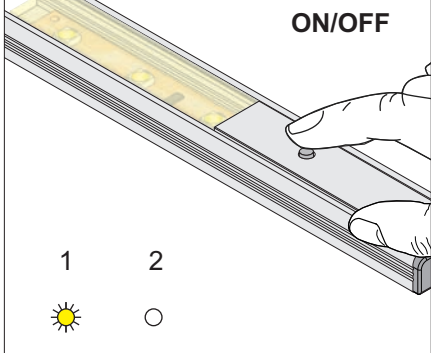
MANUALE D'ISTRUZIONI

AV2559XIAA

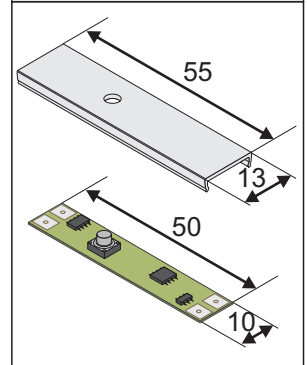


- 1 - switch LED
- 2 - cover switch
- 3 - taśma LED
- 4 - holder
- 5 - profile LED
- 6 - cover

CONTROL SWITCH



SWITCH DIMENSIONS



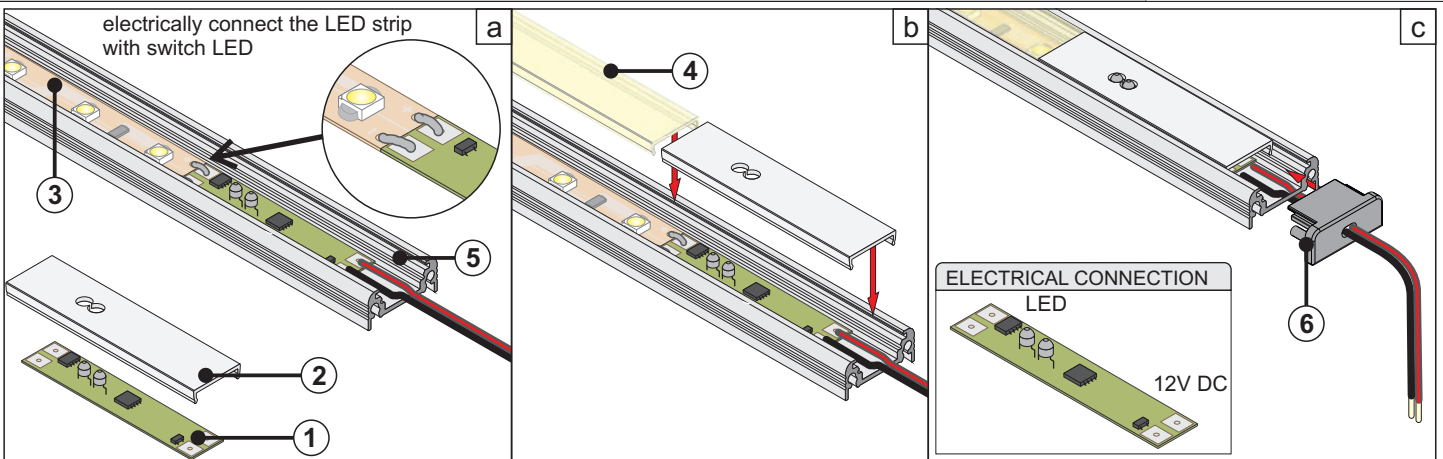
ELECTRICAL

supply voltage: 12V DC
output power: 25W
working temperature: -20°C ~ +40°C



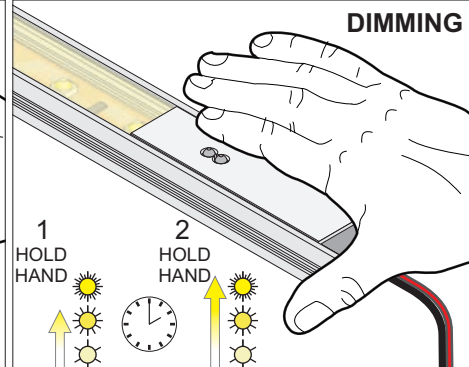
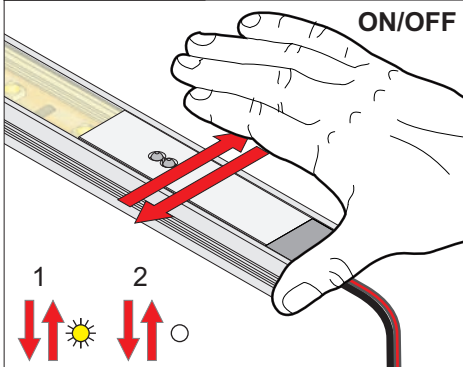
APPLICATION SWITCH

AV1535IN 12V dimmable

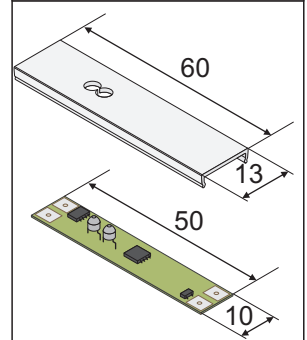


- 1 - switch LED
- 2 - cover switch
- 3 - taśma LED
- 4 - holder
- 5 - profile LED
- 6 - cover

CONTROL SWITCH



SWITCH DIMENSIONS



ELECTRICAL

supply voltage: 12V DC
output current: 3A
working temperature: -20°C ~ +40°C



APPLICATION SWITCH