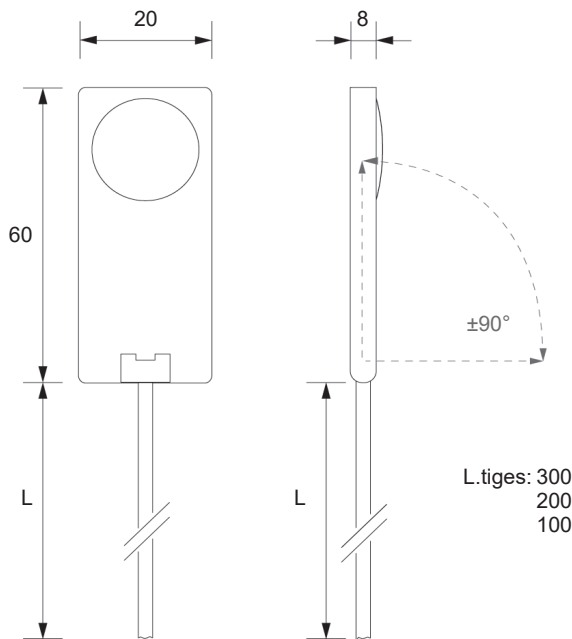
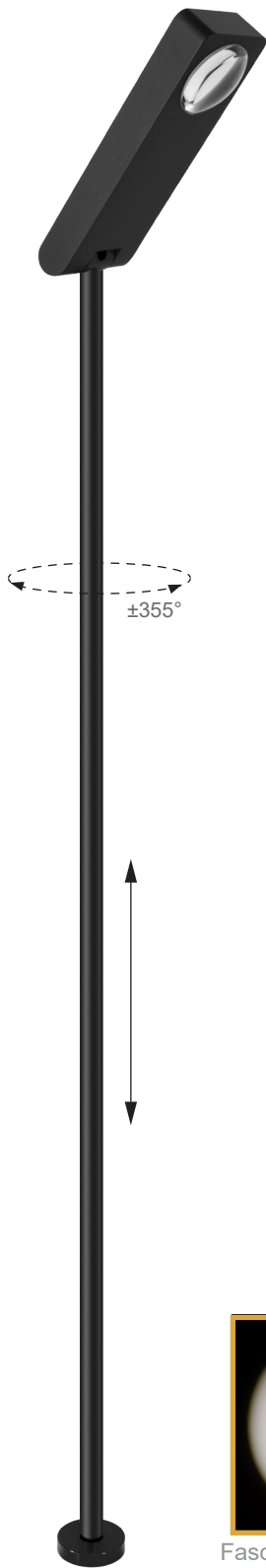


AV02219GN



L.tiges: 300
200
100

Code: AV02219GN 1ed

Protezione dai corpi solidi $\varnothing > 1 \text{ mm}$
Protection against solid objects $\varnothing > 1 \text{ mm}$



Class III



Incasto a soffitto, a parete e dal basso verso l'alto
Ceiling, wall and bottom up recessed



Cavo 50 cm in dotazione
50 cm cable included



Potenza 4W
Power 4W



Collegare in serie 355mA
Connect in series at 355mA



Orientabile $\pm 90^\circ$ e $\pm 355^\circ$
Adjustable $\pm 90^\circ$ and $\pm 355^\circ$



50 gr

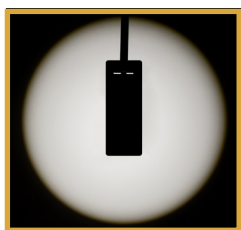


$\varnothing 10 \text{ mm}$



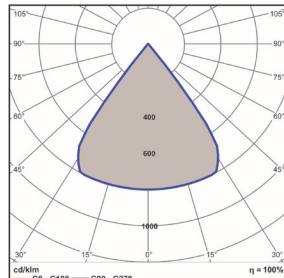
Apparecchio dal fascio luminoso estremamente definito, è l'ideale per un'illuminazione mirata e decorativa di vetrine e teche.

Device with an extremely defined light beam, it is ideal for a directional and decorative lighting of showcases and cabinets.



Fascio luminoso definito
Defined light beam

70° - 4W - 3000°K



Distanza [m]	Diametro cono [m]	E ₀ ' [lx]	E ₁₀ ' [lx]
0.50	0.75	1000	2500
1.0	1.5	250	625
1.5	2.3	111	278
2.0	3.0	64	160
2.5	3.8	41	104
3.0	4.5	28	70

COLOURS

- Cool white
- Natural white
- Warm white 3000°K
- Warm white 2700°K

FINISHES

- Gold
- Bronze
- Grey
- Black

OPTICS

