

SPI Signal Splitter

Model No.: SA / Code: AV0107SKY-E

DC5-24V/Dual way amplifier or splitter



FC CE RoHS EMC LVD

Features

- Split 1 group SPI(signal (data+clock) to 2 group SPIsignals.
- Used with SPIcontroller, applied to synchronous control multiple SPIdigital RGB or RGBW LEDstrips.

Technical Parameters

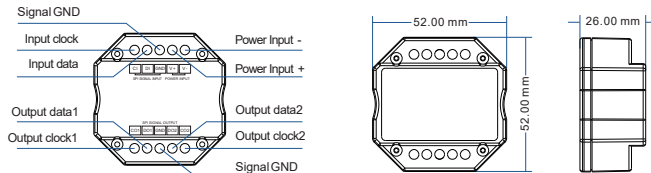
Input and Output	
Input voltage	5-24VDC
Input current	0.5A Max.
Input signal	1 group SPI (TTL)signal
Outputsignal	2 group SPI (TTL)signals

Environment	
Operationtemperature	Ta:-30°C →+55°C
Case temperature (Max.)	Tc:+65°C
IPrating	IP20

Safety and EMC	
EMC standard (EMC)	EN301 489,EN 62479
Safety standard(LVD)	EN60950
Radio Equipment(RED)	EN300 328
Certification	CE,EMCLVD

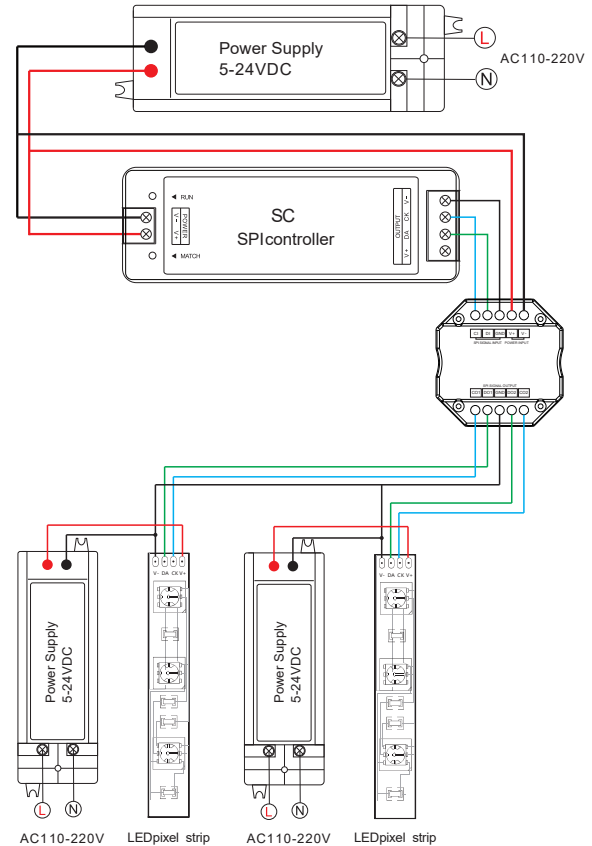
Warranty and Protection	
Warranty	5 years
Protection	Reverse Polarity

Mechanical Structures and Installations

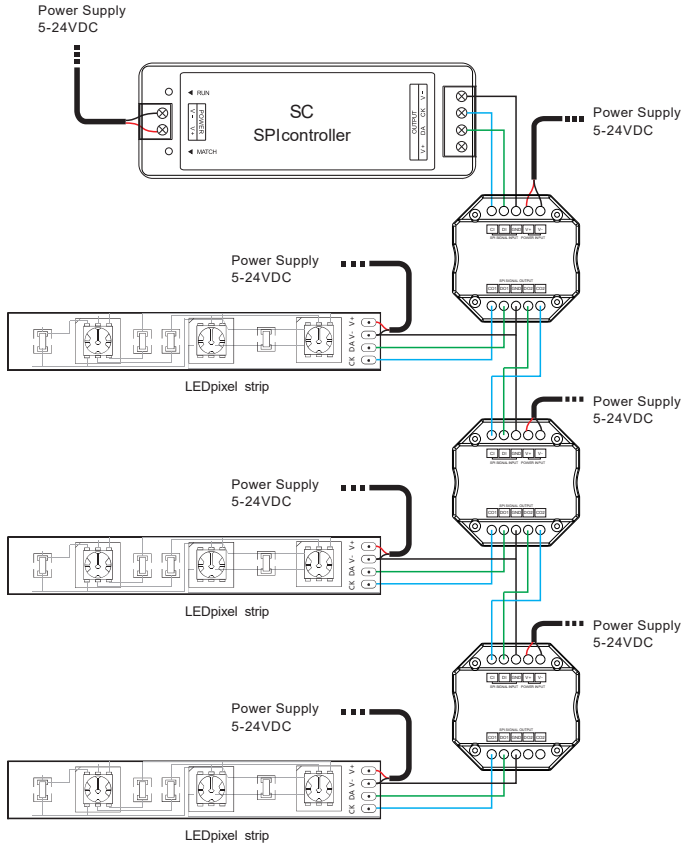


Wiring Diagram

- Connect with one SA



- Connect with more than one SA



Note:

- If the SPI LED pixel strip is single-wire control, the DATA and CLK output is same, each SA can connect up to 4 LED strips.
- If the SPI LED pixel strip is two-wire control, each SA connect up to 2 LED strips.