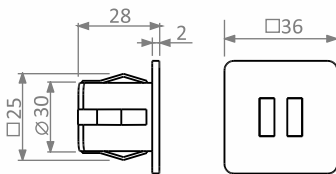
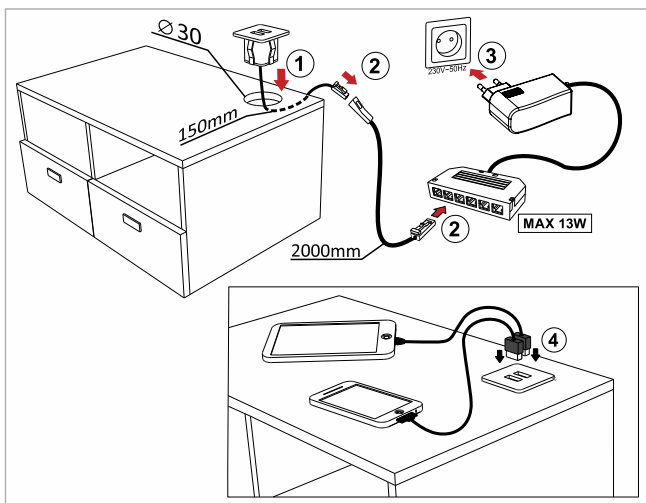


USB CHARGER ROUND

AV0106XIAC ●

AV0107XIAC ○



IN: 12VDC
OUT: 2 x USB 5VDC MAX 2x1A

DRIVER
MINIMUM
15W