

KIT EMERGENZA PER LAMPADE MAX. 3-60W

Autonomia batteria 2 ore



Max. **WATT**
3W



85-265Vac



3.7V 2400mAh
lithium

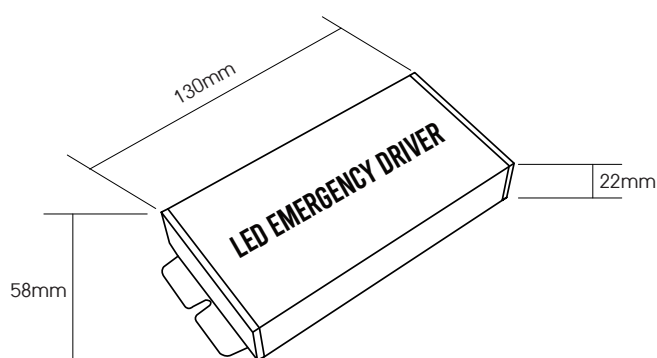


Durata
2H

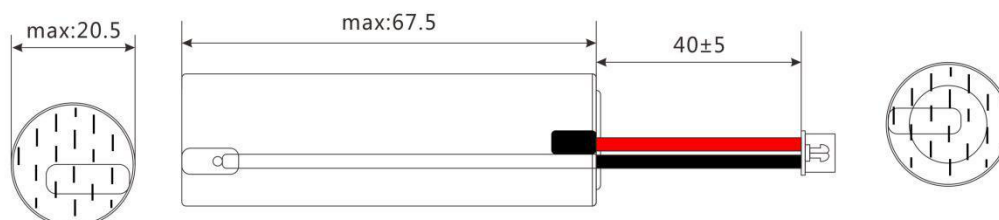


CODICE	PARAMETRI BASE				BATTERIA				
	Misure KIT	Potenza KIT	Potenza lampada Max.	Input	Misure Batteria	Batteria a litio	Durata emergenza	IP	
AV0100JQL-E	130x58x22mm	3W	3-60W	85-265VAC	Ø20,5x67,5mm	2400mAh 3.7V	2 ore	IP30	

DIMENSIONI KIT EMERGENZA



DIMENSIONI BATTERIA



KIT EMERGENZA PER LAMPADE MAX. 3-60W

Autonomia batteria 2 ore

Supply voltage	Battery voltage	Charge current	Ingress protection	Protection class
85Vac-265Vac	3.7V	200mA-300mA \pm 10%	IP30	Class II

Note: All specifications are typical at 25 °C unless otherwise stated

Specifiche scarica batteria

Parameter	Min.	Typ.	Max.	Notes
Battery discharge current	800mA	950mA	1200mA	Measured at 3.7V input for batteries
Output voltage	2.8V	3.7V	4.25V	
Output constant current	800mA	950mA	1200mA	
Emergency power	3.5W	4W	4.44W	
Emergency time	Emergency power	batteries		Notes
2 hours	3W	3.7V 2400mAh Lithium ion		-
				-

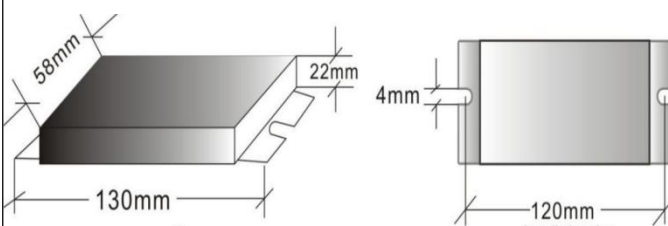
Note: All specifications are typical at 25 °C unless otherwise stated

Specifiche carica batteria

Charge time	Charge current	batteries	Notes
14-15 hours	200mA \pm 10%	3.7V 2400mAh Lithium ion	-
12-13 hours	300mA \pm 10%	3.7V 2400mAh Lithium ion	-

Note: All specifications are typical at 25 °C unless otherwise stated

Indicator	Status	Note
Green	Mains is on, system work at normal mode	
Blue	Mains fails, system work at emergency mode	
Red	Charging status	

Parameter	Min.	Typ.	Max.	Notes
Dimensions Millimeters (L x W x H)	130 x 58 x 22mm			

KIT EMERGENZA PER LAMPADE MAX. 3-60W

Autonomia batteria 2 ore

Parameter	Min.	Typ.	Max.
Operating Temperature	-10°C	-	55 °C
Storage Temperature	-10°C	-	55 °C

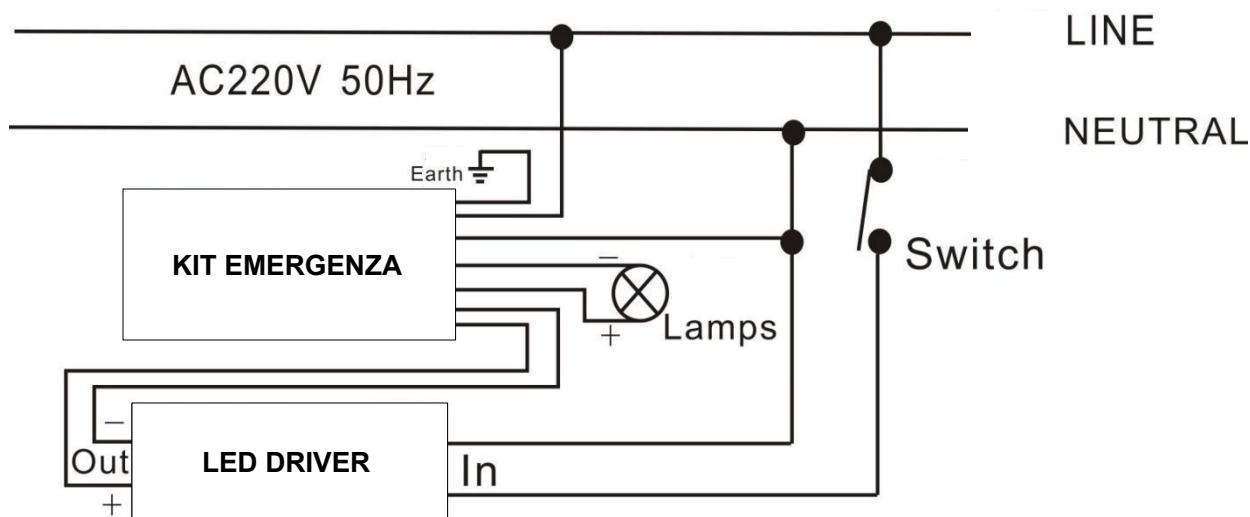
Note: Normal temp. grade batteries can only work at 0-40°C, for applications of lower or higher operating temperature, low temp grade battery and high temp grade battery is needed.

Certificazioni

Safety Category	Country	Standard
CE	Europe	EN55015:2013,EN61547:2009,EN61000-3-2:2014,EN61000-3-3:2013

EMC Category	Country	Standard
EMI	Europe	EN 55015
EMS	Europe	EN 61000-3-2, EN 61000-3-3,EN 61547

Collegamento



● — It indicates the connection