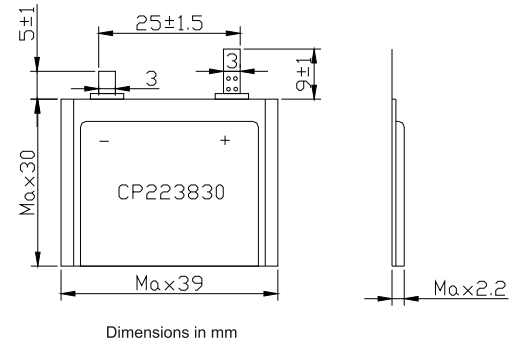


CP223830

Electrical characteristics

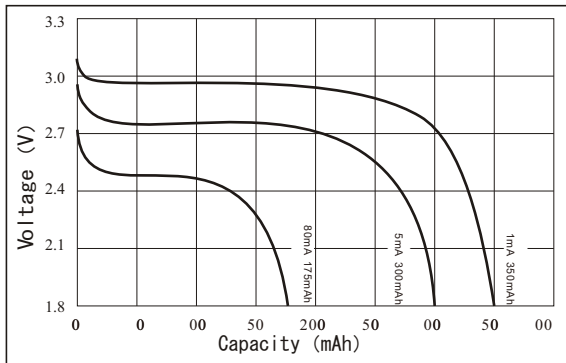
Typical values relative to cells stored for one year

Nominal capacity (Discharged capacity at 0.5mA, +25°C, 2V cut off)	350mAh
Nominal voltage	3.0V
Max.recommended continuous current (Discharged to 2V at +25°C permitting 50% of the Nominal capacity to be achieved)	80mA
Max. Pulse current 15 seconds at 25°C drained with 50% of the nominal capacity, yield voltage reading above 2V. The value may vary with the pulse characteristics, the temperature and the cell's previous history.	120mA
Storage	Max 30°C
Operating temperature range	-40~+60°C
Weight	≈4g

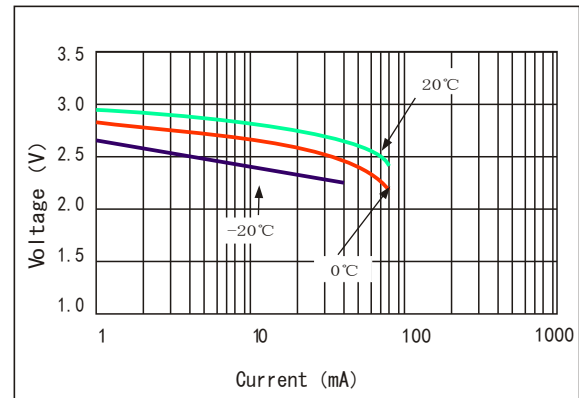


Special terminal can be made according to customer's requirement

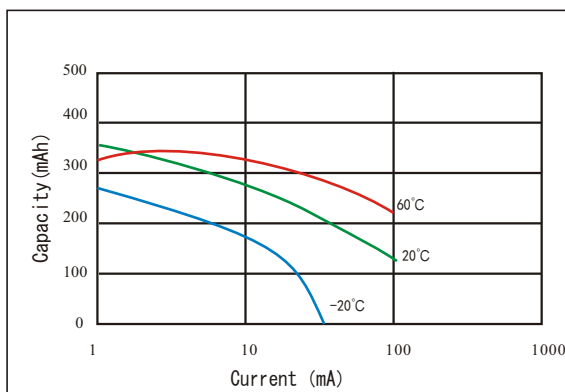
Discharge characteristics at 25°C



Voltage vs. Current an Temperature



Capacity vs. current and Temperature



Storage Characteristics

