

Product datasheet



Mini-1

Areas of application

- Signage and illuminated advertising.
 - Backlighting of channel letters and block letter.
 - Best for 30mm to 100mm depth (1.2inch to 4inch).
-

Product main benefits

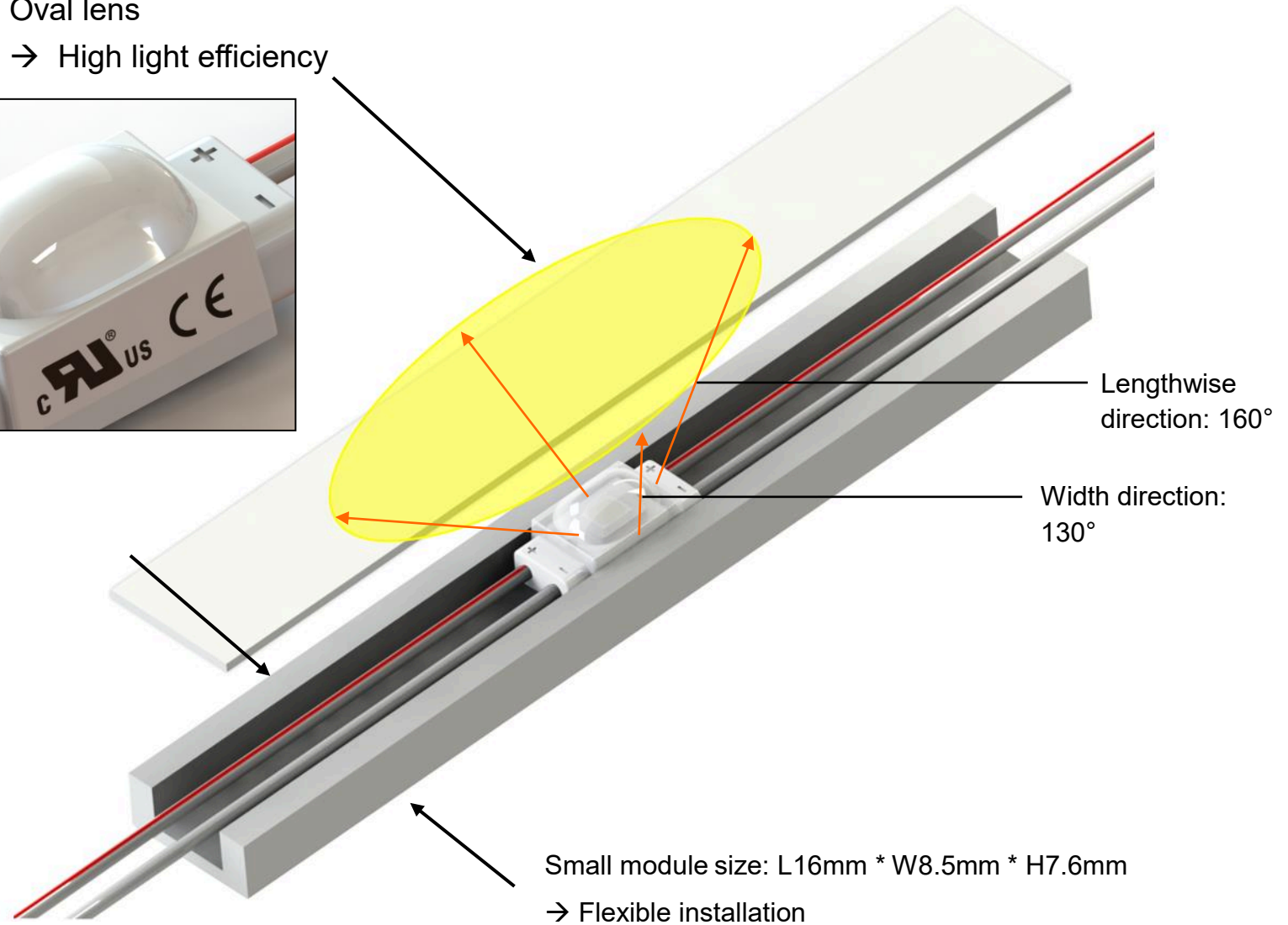
- Uniform and efficient illumination at high LED pitches thanks to oval optics design.
 - Very small module size design can be flexible in application.
 - IP67.
 - 5 Years warranty.
 - 3 SDCM.
 - 160 lm/W.
-



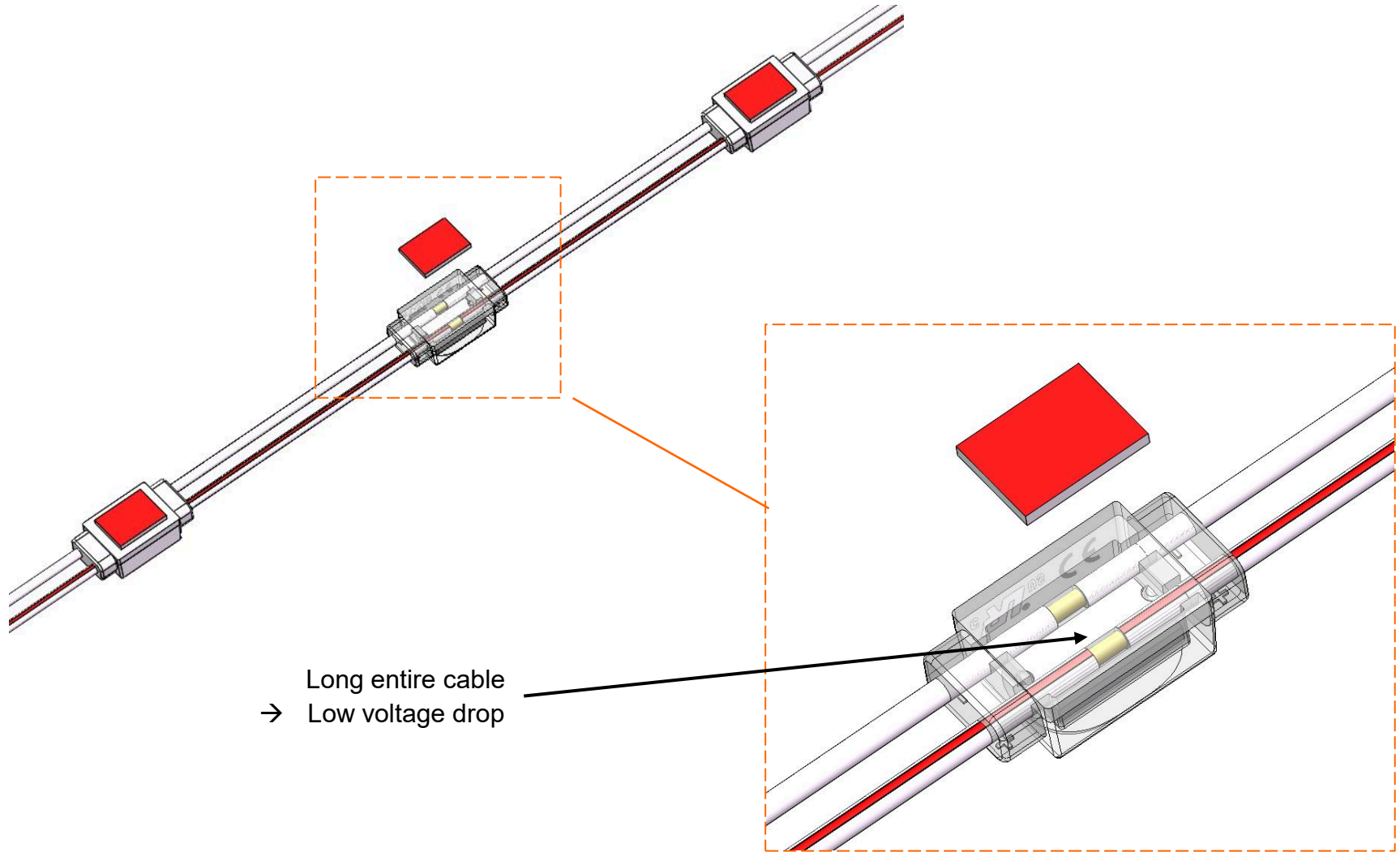
Technology

Oval lens

→ High light efficiency



Technology



Long entire cable
→ Low voltage drop

Electrical data

PART NUMBERS	Typical Voltage	Energy Consumption (W/module)	Energy Consumption (W/chain)	Energy Consumption (W/ft.)	Additional Information (modules/chain)
AV0013MY-E	12VDC	0.36	36	2.2	100

Remark:

1. Ranking at $t_a = 25^\circ\text{C}$.
2. Constant voltage design.

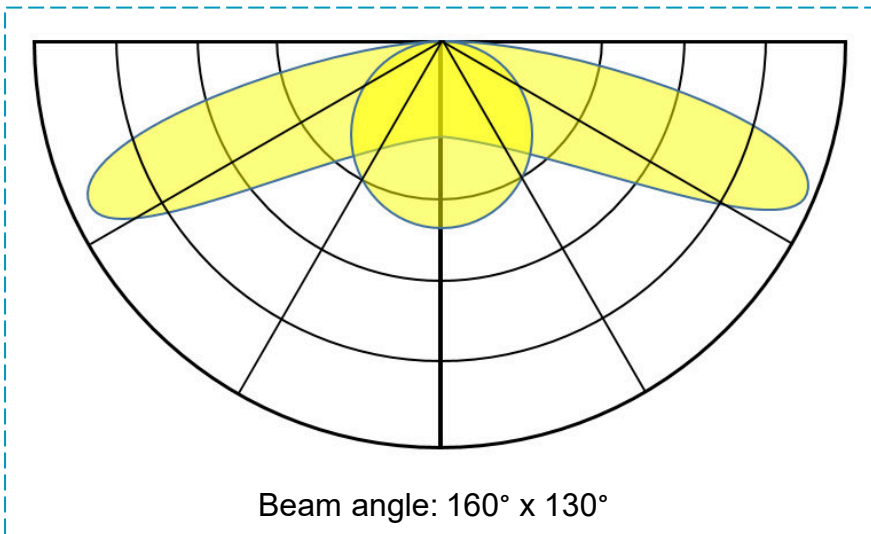
Photometrical data

PART NUMBERS	Light color (designation)	Color (CCT, wavelength)	Typical Brightness (lumen/module)	Typical Brightness (lumen/chain)	Typical Brightness (lumen/ft.)
	Warm white	3000K/4000K	43	4300	328
AV0013MY-E	White	5000K/6500K/7100K	48	4800	366
	Cool White	8000K/10000K	43	4300	328
	White	3000K - 10000K	41	4100	250
	Red	620-625 nm	6	600	46
	Green	520-525 nm	25	2500	191
	Blue	465-470 nm	5	500	38

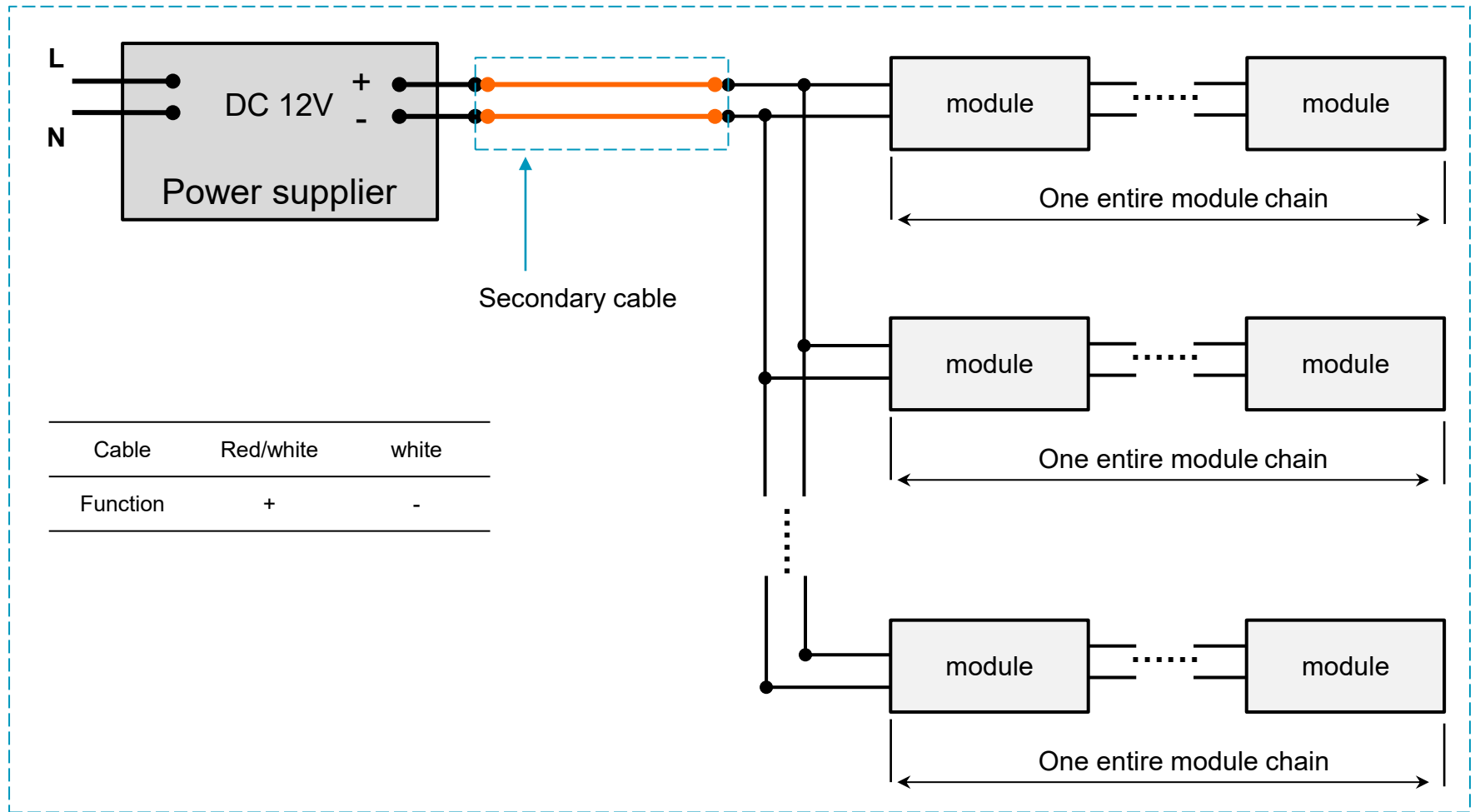
1. Ranking at $t_a = 25^\circ\text{C}$.
2. Tolerance of measurements for brightness is $\pm 10\%$, tolerance of measurements for the Chromaticity Coordinate is ± 0.01 ; the tolerance of CCT should be calculated accordingly.

Application Conditions and light distribution

Operating Environment (t_a)	-25°C to +55°C
Storage Temperature Range (t_s)	-40°C to +85°C
IP Rating	IP67
Lifetime (L70B50)	50,000 hours
t_c temperature	80°C
Dimming mode	Dimmable
Cutting Resolution	Cut on wire between every module



Wiring method



Drawing (M21Gx02A)

