

Proiettore LED SLIM

30W/40W/50W



- 100%
- 80%
- 60%



- WW(4000K)
- NW(5000K)
- DW(5700K)



KEY ADVANTAGES

- Come with CCT and Power selectable function, reduce the SKU and achieve greater light control and efficiency
- TG04 can be matched with sensors to reduce energy consumption
- Perfect thermal management for long-term performance
- Wide choice of optics to suit more applications
- A cost-effective and very competitive solution offers an industry-leading lux and significant energy savings
- Various mounting options and inclination possibilities on-site for optimal photometry
- Tempered glass cover to effectively reduce UV damage on the lens
- Real beneficial LED alternative to HID floodlights for high-power applications
- Multiple power options with complete wattage

TYPES OF APPLICATION

- INDUSTRIAL HALL & WAREHOUSE
- SPORT FACILITIES
- CAR PARKS
- LARGE AREAS
- BRIDGES
- TUNNEL & UNDERPASSES



BRIDGES



TUNNELS & UNDERPASSES



CAR PARKS



LARGE AREAS



SPORT FACILITIES



INDUSTRIAL HALLS & WAREHOUSES



CHARACTERISTICS

GENERAL INFORMATION

Driver included	Yes
CE mark	Yes
RoHS compliant	Yes
Safety features	Open circuit protection Short circuit protection Overvoltage protection
Testing standard	LM-79-19 (all measurements in ISO17025 accredited laboratory)

HOUSING AND FINISH

Housing	Aluminium
Optic	Polycarbonate
Protector	Glass
Glass	Tempered glass
Respirator	Yes
Housing finish	Electrostatic polyester powder coating
Standard colour(s)	RAL 9017 black
Tightness level	IP 66
Impact resistance	IK 07

OPERATING CONDITIONS

Operating temperature range (Ta)	-30°C to + 45°C
Operating Humidity	10-90%RH
Mounting Option	Bracket Mounting
Warranty	5 years

PERFORMANCE

Power	50W/100W/150W/ 200W/300W
Efficacy	140lm/W
Power Efficiency	≥90%
Start Time	≤0.2S

ELECTRICAL INFORMATION

Electrical class	Class I EU
Nominal voltage	120-277V \varnothing 50/60Hz
Power factor (at full load)	0.9
Surge protection options (kV)	6KV-Line-Line 6KV-Line-Earth
Electromagnetic compatibility (EMC)	EN 55015:2019/A11:2020, EN 61000 3-2:2019, EN 61000-3-3:2013, EN 61547:2009, EN 62493:2015
Total Harmonic Distortion(THD)	IEC 61000-3-2 Class C <20%
Driver Type	Constant current(CC)
Flicker	No
Sensor method	PIR Sensor
Remote control range	0-10M
For fixed Class 1 luminaires, overvoltage protective devices which comply with IEC 61643-11 shall be disconnected from the circuit.	
withstand voltage	1.5KV 60S 10mA

OPTICAL INFORMATION

LED Type	SMD3030
Beam Angle	60° / 90° / 120°
Recommended installation height	4m to 15m
Color Tolerance	Ra70 ≤7 Ra80 ≤5
LED colour temperature	3000K - 6500K
Colour rendering index (CRI)	CRI>70 standard CRI>80 optional
Upward Light Output Ratio (ULOR)	0%

. Ra measurement tolerance is ±2.

LIFETIME OF THE LEDS @ TQ 25°C

All configurations	
L70B10	100,000h
L80B10	50,000h
L90B10	30,000h
Switching Cycles	100,000 times



CHARACTERISTICS

STANDARD VERSION

POWER	3000K EFFICACY		4000K EFFICACY		6500K EFFICACY	
50W		140LM/W		150LM/W		140LM/W
100W		140LM/W		150LM/W		140LM/W
150W		140LM/W		150LM/W		140LM/W
200W		140LM/W		150LM/W		140LM/W
300W		140LM/W		150LM/W		140LM/W

. The Performance Data is tested base on Ra70 configuration (Apply to all versions)
 . Power Consumption Tolerance $\pm 5\%$ (Apply to all versions)
 . Lumen Efficiency Tolerance $\pm 5\%$ (Apply to all versions)

POWER VS LIGHT OUTPUT RATE

Power	100%	80%	60%
Light output Rate	1	1.05	1.1

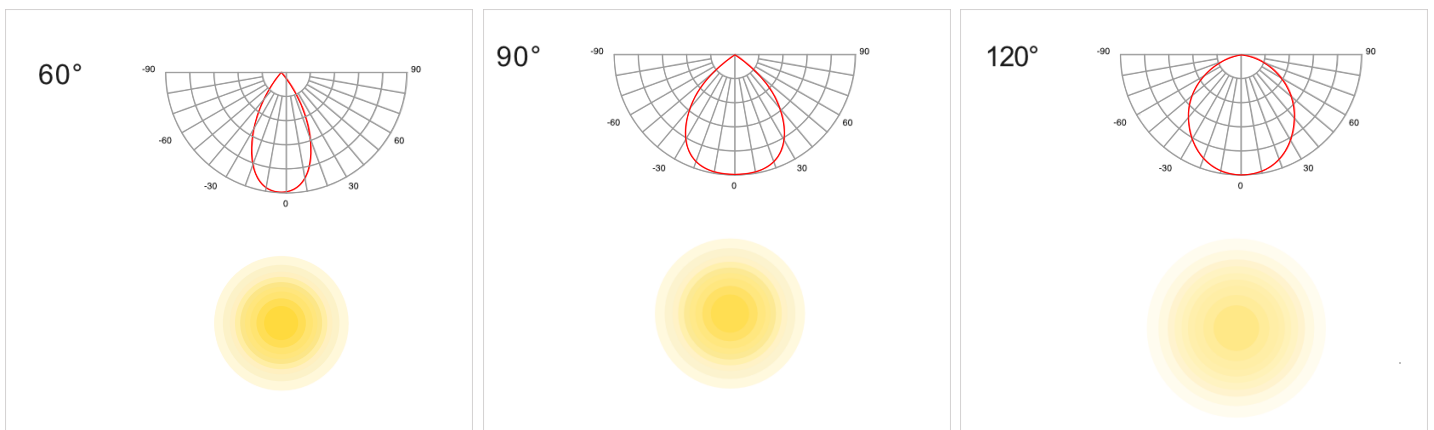
PACKAGING

PACKAGING

POWER	PACKAGE SIZE	QTY/CTN	SINGLE PIECE VOLUME	NET WEIGHT	GROSS WEIGHT	20GP	40HQ
50W	L570*W285*H330mm	5PCS/CTN	0.0536m3	3kg	3.4kg	2866pcs	6675pcs
100W	L400*W375*H110mm	1PCS/CTN	0.0165m3	3.5kg	4kg	2097pcs	4742pcs
150W	L455*W400*H110mm	1PCS/CTN	0.02m3	4.5kg	5.1kg	1704pcs	3902pcs
200W	L525*W400*H110mm	1PCS/CTN	0.0231m3	5.2kg	6kg	1485pcs	3408pcs
300W	L615*W465*H135mm	1PCS/CTN	0.0386m3	10.3kg	11.2kg	784pcs	1835pcs

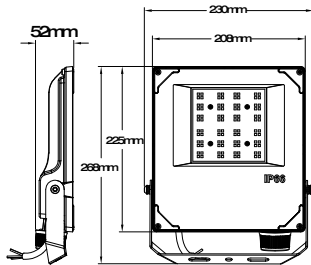
OPTICS

LIGHT DISTRIBUTIONS

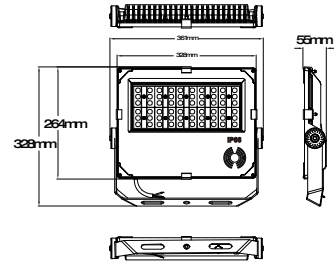


DRAWING

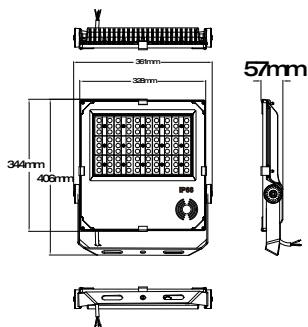
50W



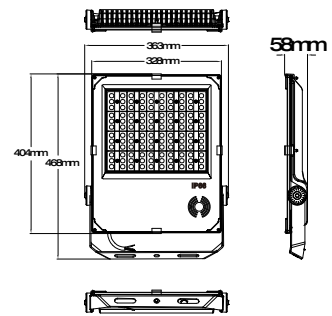
100W



150W



200W



300W

